

Clothes Washer

Use & Care Guide

CW-3

CROSLEY



Table of Contents



Important Safety Instructions 1-2



**Using the Controls
3 Speed Combo Models 3-4**

**3 Speed Combo with
Stain Cleaner Models 5-6**



Operating Tips 7



Special Features 8-9



Care & Cleaning 9



Troubleshooting 10



Service & Warranty 11

**Guide d'utilisation
et d'entretien 12**

Guía de uso y cuidado 24



Important Safety Instructions

Installer: Please leave this guide with this appliance.

Consumer: Please read and keep this guide for future reference. Keep sales receipt and/or canceled check as proof of purchase.

Model Number _____

Serial Number _____

Date of Purchase _____

If you have questions, call:

Customer Assistance

1-800-688-9900 U.S.A.

1-800-688-2002 Canada

(Mon.-Fri., 8am-8pm Eastern Time)

U.S. Customers using TTY for deaf, hearing impaired or speech impaired, call 1-800-688-2080.

In our continuing effort to improve the quality and performance of our appliances, it may be necessary to make changes to the appliance without revising this guide.

For service information, see page 11.

What You Need to Know About Safety Instructions

Warning and Important Safety Instructions appearing in this manual are not meant to cover all possible conditions and situations that may occur. Common sense, caution and care must be exercised when installing, maintaining or operating appliance.

Always contact the manufacturer about problems or conditions you do not understand.

Recognize Safety Symbols, Words, Labels

WARNING

WARNING – Hazards or unsafe practices which **COULD** result in severe personal injury or death.

CAUTION

CAUTION – Hazards or unsafe practices which **COULD** result in minor personal injury.

WARNING! FIRE HAZARD

Do not add gasoline, dry-cleaning solvents, or other flammable or explosive substances to the wash water. These substances give off vapors that could ignite or explode.

Do not wash articles which have been previously cleaned, washed, soaked, or spotted with gasoline, dry-cleaning solvents, oil, waxes, chemical solvents, alcohol, turpentine, or other flammable or explosive materials. These substances will be retained in articles, and articles which still contain these flammable or explosive substances give off vapors that could ignite or explode.

Observe these precautions when using cleaning fluids, spot or stain removers, etc. These products should be labeled “nonflammable.” Use according to manufacturers directions in a well ventilated area or outdoors. Thoroughly rinse articles by hand before placing them in the washer. Some of these products – rust removers for example – will damage components and the finish of the washer.

Keep area around and underneath washer free from the accumulation of combustible materials, such as lint, paper, rags, gasoline, and all other flammable vapors and liquids.

HYDROGEN GAS IS EXPLOSIVE! Under certain conditions, hydrogen gas may be produced in a hot water system that has not been used for two weeks or more. If the hot water system has not been used for such a period, before using the washer, turn on all the hot water faucets and let the water flow from each faucet for several minutes. This will release any accumulated hydrogen gas. As this gas is flammable, do not smoke or use an open flame during this time.

Recent studies have shown that if vegetable oil contaminated materials are incompletely washed, a carry-over and buildup of the oil may contribute to a chemical reaction (spontaneous combustion) that could cause a load to catch fire by itself. This would be more likely to happen if the load were left in the dryer after tumbling stopped or if items were folded and stacked while warm.



Important Safety Instructions

⚠ WARNING

To reduce the risk of fire, explosion, electric shock, or personal injury when using your washer, follow basic safety precautions, including the following:

1. Read all instructions before using the appliance.
2. As with any equipment using electricity and having moving parts, there are potential hazards. To use this appliance safely, the operator should become familiar with the instructions for operation of the appliance and always exercise care when using it.
3. **Do not** install or store this appliance where it will be exposed to the weather.
4. Install and level washer on a floor that can support the weight.
5. This appliance must be properly grounded. Never plug the appliance cord into a receptacle which is not grounded adequately and in accordance with local and national codes. See installation instructions for grounding this appliance.
6. To avoid the possibility of fire or explosion:
 - a. **Do not** wash items that have been previously cleaned in, washed in, soaked in, or spotted with gasoline, dry-cleaning solvents, other flammable or explosive substances as they give off vapors that could ignite or explode. Hand wash and line dry any items containing these substances.

Any material on which you have used a cleaning solvent, or which is saturated with flammable liquids or solids, should not be placed in the washer until all traces of these liquids or solids and their fumes have been removed.

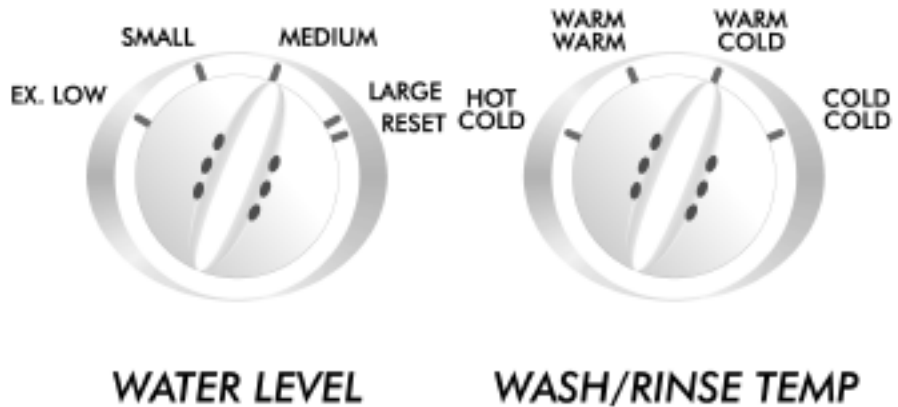
These items include acetone, denatured alcohol, gasoline, kerosene, some liquid household cleaners, some spot removers, turpentine, waxes and wax removers.
 - b. **Do not** add gasoline, dry-cleaning solvents, or other flammable or explosive substances to the wash water. These substances give off vapors that could ignite or explode.
 - c. Under certain conditions, hydrogen gas may be produced in a hot water system that has not been used for two weeks or more. **HYDROGEN GAS IS EXPLOSIVE.** If the hot water system has not been used for such a period, before using a washing machine or combination washer-dryer, turn on all hot water faucets and let the water flow from each for several minutes. This will release any accumulated hydrogen gas. As the gas is flammable, **do not** smoke or use an open flame during this time.
- d. **Do not** wash or dry items that are soiled with vegetable or cooking oil. These items may contain some oil after laundering. Due to the remaining oil, the fabric may smoke or catch fire by itself.
7. **Do not** reach into the appliance if the tub or agitator is moving.
8. **Do not** allow children or pets to play on, in, or in front of the appliance. Close supervision is necessary when the appliance is used near children and pets.
9. **Do not** tamper with controls.
10. **Do not** repair or replace any part of the appliance or attempt any servicing unless specifically recommended in published user-repair instructions that you understand and have the skills to carry out.
11. Unplug power supply cord before attempting to service your washer. Service is to be done only by qualified service personnel.
12. The agitator should not be removed. If the agitator is removed, it must be replaced by pushing down completely and the locking screw tightened before the washer is operated.
13. Keep all laundry aids such as detergents, bleach, etc., out of the reach of children, preferably in a locked cabinet. Use laundry aids only as directed by the manufacturer. Observe all warnings on container labels.
14. Keep the area around and underneath washer free from the accumulation of combustible materials, such as lint, paper, rags, gasoline, and all other flammable vapors and liquids.
15. **Do not** use chlorine bleach and ammonia or acids (such as vinegar or rust remover) in the same wash. Hazardous fumes can form.
16. **Do not** machine wash fiberglass materials. Small particles can stick to fabrics washed in following loads and cause skin irritation.
17. For flame resistant finishes - follow garment manufacturer's instructions carefully. Improper laundering could remove the finish.
18. Before the appliance is removed from service or discarded, remove the door to the washing compartment.
19. Inlet hoses are subject to damage and deterioration over time. Check the hoses periodically for bulges, kinks, cuts, wear or leaks and replace them every five years.

SAVE THESE INSTRUCTIONS



Using the Controls - 3 Speed Combo Models

CROSLEY
HEAVY DUTY
Giant Capacity Plus
Quiet Series
3 Speed Combo
10 Cycles
PowerSurge Agitator



STEP 1

Select Water Level

Determine the selected setting based on clothes load size. Selection should provide sufficient water to permit clothes to circulate freely during agitation.

It may become necessary, due to bulky fabrics, to adjust the water level after agitation begins. To adjust the water level, turn the control to **reset** and then back to the desired setting.

WATER LEVEL SETTING	LOAD SIZE
Ex. Low (select models)	1/4 Full
Small	1/4 - 1/2 Full
Medium	1/2 - 3/4 Full
Large	3/4 - Full

Note: Items must circulate freely for best results.

STEP 2

Select Wash/Rinse Temperature

Your washer gives you a choice of hot, warm or cold water for washing and cold or warm water (select models) for rinsing. Use the chart below as a guide.

WASH/RINSE TEMPS	LOAD TYPE
Hot/Cold	White and heavily soiled, color-fast items.
Warm/Warm (select models)	Moderately soiled, colored items.
Warm/Cold	Moderately soiled, colored items; most wrinkle-free items.
Cold/Cold	Brightly colored, lightly soiled items; washable woolens.

Note: In wash water temperatures below 60° F, detergents do not dissolve well or clean well. Care labels define cold water as up to 85° F.

Control features vary by model.



STEP 3

Select Extra Rinse (if desired) (select models)

When the knob is in the **On** position, an additional rinse at the end of the Regular cycle is provided to more completely remove laundry additives, suds, perfumes, etc.

STEP 4

Select Cycle

To select a cycle, push the control dial **in** (off position) and turn it to the *right* until the pointer is at the number of minutes needed for the wash load in the Regular, Wrinkle-Free Clothes or Delicates cycles.

Regular Cycle

Provides normal agitation and normal spin speeds to wash cottons and heavily soiled items.

Wrinkle-Free Clothes Cycle

Provides normal agitation speed for the first six minutes, a pause, then slow agitation for the rest of the wash cycle to protect wrinkle-free fabrics. Spin speed will be normal to reduce water retention.

Delicates Cycle

Provides slow agitation speed and slow spin speed for delicates and knits.

STEP 5

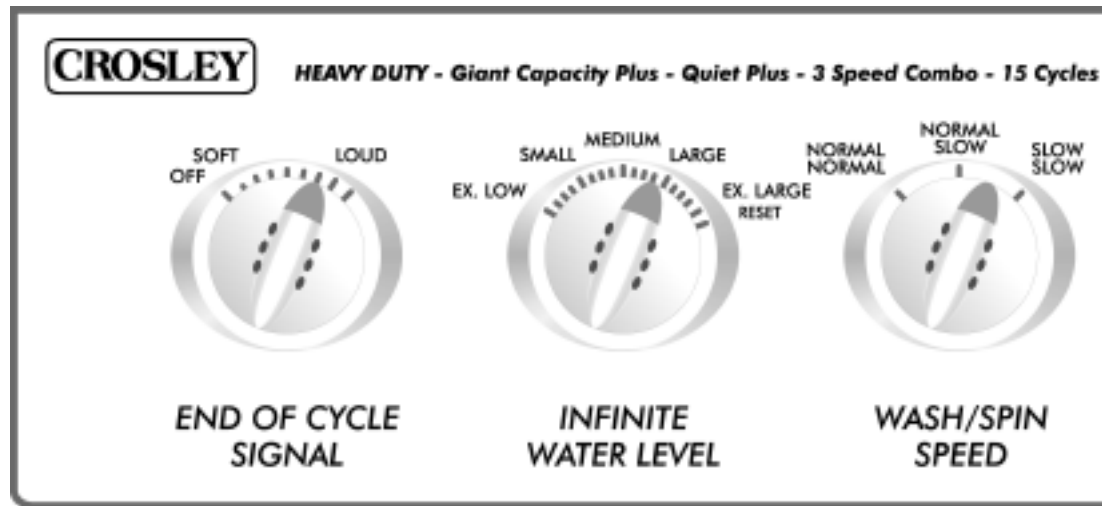
Pull Control Dial Out to Start

You may stop the washer at any time by simply pushing the control dial **in**. Therefore it is possible to obtain a non-agitated soak or to shorten, skip or repeat any part of a cycle. The control dial must be pushed **in** (off position) when you change the setting.

Note: Do not attempt to turn the control dial counterclockwise. Damage to the timer will result.



Using the Controls - 3 Speed Combo with Stain Cleaner Models



STEP 1

Select Signal

End of Cycle Signal

When the cycle is complete, a signal will sound several times. The End of Cycle Signal volume is adjustable. To adjust the volume, select any setting between **OFF** and **LOUD**.

STEP 2

Select Water Level

Determine the selected setting based on clothes load size. Selection should provide sufficient water to permit clothes to circulate freely during agitation.

It may become necessary, due to bulky fabrics, to adjust the water level after agitation begins. To adjust the water level, turn the control to **reset** and then back to the desired setting.

WATER LEVEL SETTING	LOAD SIZE
Ex. Low	1/4 Full
Small	1/4 - 1/3
Medium	1/3 - 1/2
Large	1/2 - 2/3
Extra Large	3/4 - Full

Note: Items must circulate freely for best results.

STEP 3

Select Wash/Spin Speed

Your washer has selectable wash and spin speed combinations.

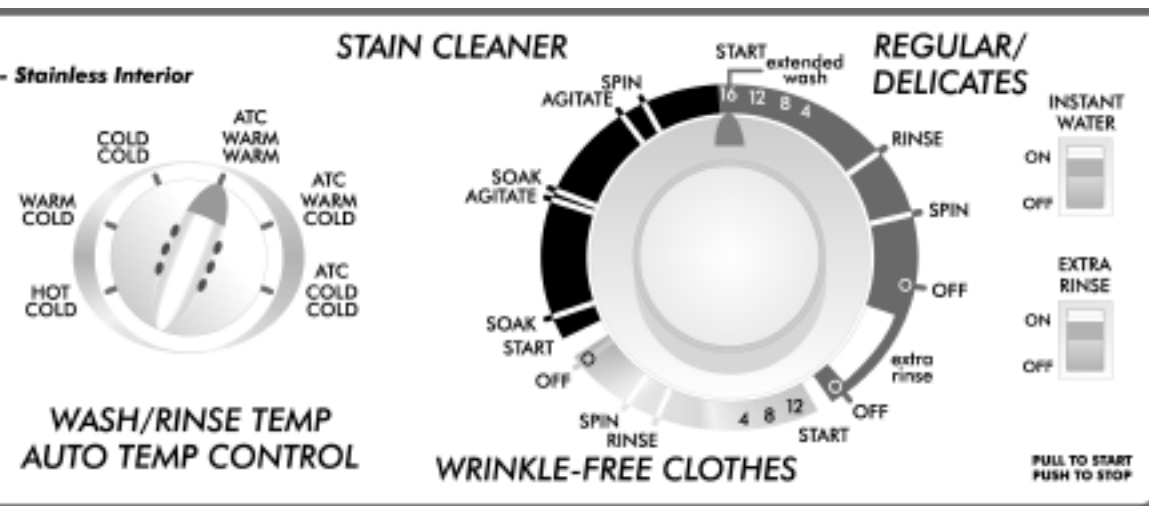
WASH/SPIN SPEEDS	LOAD TYPE
Normal/Normal	Sturdy fabrics needing maximum water extraction.
Normal/Slow	Sturdy fabrics needing a slower spin speed because of wrinkling.
Slow/Slow	Delicate fabrics needing slower wash and spin speed because of clothing construction.

STEP 4

Select Wash/Rinse Temperature

Your washer gives you a choice of hot, warm or cold water for washing and cold or warm water for rinsing. Use the chart below as a guide.

WASH/RINSE TEMPS	LOAD TYPE
Hot/Cold	White and heavily soiled, color-fast items.
Warm/Cold	Moderately soiled, colored items; most wrinkle-free items.
Cold/Cold	Brightly colored, lightly soiled items; washable woolens.



WASH/RINSE TEMPS	LOAD TYPE
These settings feature Automatic Temperature Control:	
ATC Warm/Warm ATC Warm/Cold	Saves energy by adding cold water to the hot water from your water heater. Provides optimum cleaning at lower temperatures.
ATC Cold/Cold	May add hot water to the incoming cold water as the washer fills. This assures that the water will be warm enough to properly activate detergent.

Note: In wash water temperatures below 60° F, detergents do not dissolve well or clean well.

STEP 5

Select Cycle

To select a cycle, push the control dial **in** and turn it to the *right* (clockwise) until the pointer is at the number of minutes desired for the wash load.

IMPORTANT: For optimum fabric care, the appropriate wash and spin speed for the load type must be selected using the Wash/Spin Speed knob.

Regular/Delicates Cycle

Regular/Delicates cycles share the same portion of the control dial. For regular fabrics, select the cycle and turn the Wash/Spin Speed dial to Normal/Normal. For delicate loads, select Slow/Slow.

Wrinkle-Free Clothes Cycle

This cycle provides up to 12 minutes of agitation. Depending on the load, select either the **Normal/Slow** or **Slow/Slow** wash/spin speed.

Stain Cleaner Cycle

Stain Cleaner provides approximately 30 minutes of agitation and soaking to help remove stubborn dirt and stains. For more information see page 8.

STEP 6

Select Extra Rinse (if desired)

When the switch is in the **On** position, an additional rinse at the end of the Regular/Delicates cycle is provided to more completely remove laundry additives, suds, perfumes, etc.

STEP 7

Pull Control Dial Out to Start

You may stop the washer at any time by simply pushing the control dial **in**. Therefore it is possible to obtain a non-agitated soak or to shorten, skip or repeat any part of a cycle. The control dial must be pushed **in** (off position) when you change the setting.

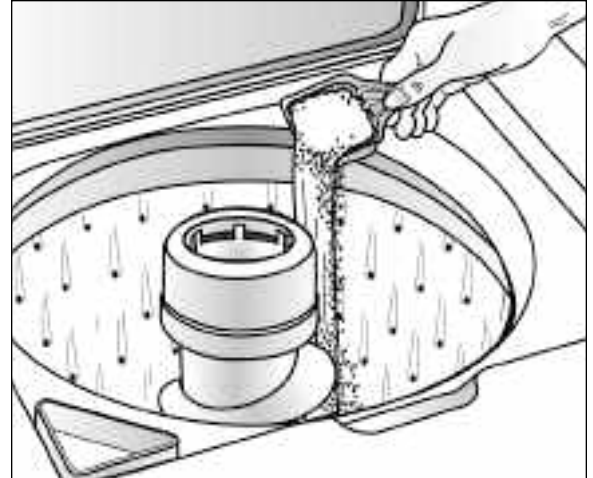
Note: Do not attempt to turn the control dial counterclockwise. Damage to the timer will result.



Operating Tips

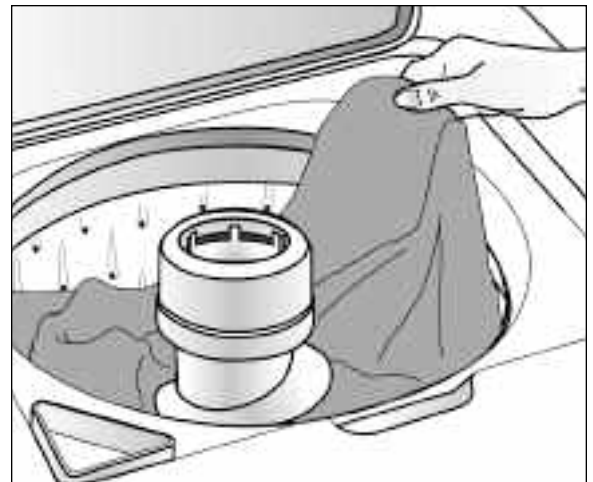
Detergent

- Use either liquid or granular laundry detergent. **For best results, be sure detergent is added to the washer BEFORE the load and be sure the wash water is above 60° F.**
- Use the correct amount of detergent for the load size, soil level and water conditions. Use more detergent if you have hard water and very soiled loads.
If you have soft water or a lightly soiled load, use less detergent. (See manufacturer's instructions.)
- Wipe up any detergent spills on the washer.



Loading

- For best results add the detergent to the washtub before adding the load.
- Put dry, unfolded clothes loosely in the tub, up to the top row of holes for a maximum load.
- **Do not** wrap large items like sheets around the agitator.
- Mix large and small items for best circulation. Wash bulky items like blankets separately.
- When laundering wrinkle free items or items of delicate construction, washable woolens or loosely knit items, never use less than the MEDIUM water level setting. This will minimize shrinkage, wrinkling and pulling of seams.
- Close lid carefully to avoid slamming.



Additional Tips

- During the spin, it is possible for the load to become unevenly distributed in the tub. If this happens, push **in** the control knob, open the lid, redistribute the load, close the lid and pull out the control knob. The spin will resume at the point it was interrupted.
- The washer will pause briefly throughout each cycle. These pauses are normal.
- This washer is designed so that it will not agitate or spin when the lid is open. It will, however, fill with the lid open so water is available for pretreating stains or diluting fabric softener.
- If you open the lid during a spin cycle, the washer will stop. When the lid is closed and the control dial pulled out, the washer will continue the cycle at the point it was interrupted.

Special Features

Liquid Bleach Dispenser

The dispenser automatically dilutes liquid chlorine bleach before it reaches your wash load. To use, follow these steps:

1. Measure liquid chlorine bleach carefully, following the instructions on the bottle.
2. **Pour liquid chlorine bleach into bleach dispenser before adding the load.** Avoid splashing or over-filling the dispenser.



Pour liquid chlorine bleach into bleach dispenser.

Note:

- Never pour undiluted liquid chlorine bleach directly onto the load or into the wash tub. It is a powerful chemical and can cause fabric damage, such as tearing or color loss, if not used properly.
- If you prefer to use color-safe, non-chlorine bleach, pour it into the wash tub with your detergent. **Do not** pour non-chlorine bleach into the bleach dispenser.

Instant Water (select models)

Provides a flow of water when holding the switch in the **On** position.



Liquid Dispenser

The dispenser may be used for fabric softener with most cycles or liquid detergent with the Stain Cleaner cycle (select models). The liquid dispenser should be cleaned before and after each use of liquid detergent. The dispenser automatically releases the liquid at the proper time during the cycle.

To use, follow these steps:

1. Pour a measured amount of desired liquid into the dispenser to fill line only.
2. If liquid comes below line, add warm water.

If it is necessary to clean the dispenser:

1. Pull the dispenser off of the top of the agitator.
2. Soak for one hour in sink or container in hot water and dishwashing liquid.
3. Hold hands over top and bottom of dispenser and shake to loosen buildup.
4. Rinse with clean, hot water.
5. Repeat process if necessary.
6. Replace dispenser on agitator.



Do not use dishwashing liquid inside the washer. Oversudsing can occur.

Stain Cleaner Cycle (select models)

The Stain Cleaner cycle eliminates the inconvenience of soaking stained loads before they are placed in the washer. To use:

1. Add liquid or granular detergent to the washtub.
2. Add the load.
3. Add **liquid detergent only** to the Liquid Dispenser in the top of the agitator.
4. Set the control dial to Start in the Stain Cleaner cycle.

The load will soak for 30 minutes with brief periods of agitation. The water is then spun out and clean wash water is added along with the liquid detergent for a 16-minute wash cycle.

Safety Spin

If for any reason you open the washer lid when the washer is in a spin or extract period, the operation will immediately stop. This is for your personal safety. If your washer does not stop, call your service technician immediately. When the lid is closed, the operation will automatically resume.



Special Features

Automatic Lint Filtering System

The Lint Filtering System does not require cleaning.

Wash and rinse water is filtered and re-filtered continuously to trap lint shed by most fabrics during the agitation cycle before it can be redeposited on the wash load. The engineered hole design on the wash basket in conjunction with water flow produced by the agitator, traps lint away from the clothes between the inner wash basket and the outer tub. Lint is automatically flushed from the washer during the spin cycle.

Unbalanced Spin Load Compensator

Your new washer is designed to handle out-of-balance loads without shutting down or interrupting the washing cycle.



Care & Cleaning

1. After washing, leave the lid open until the interior is dry.
2. Check hoses to be sure there are no leaks, kinks or knots.
3. Your washer should not be installed where temperatures will go below freezing, as damage to the washer could result.
4. To clean, occasionally wipe exterior with a clean damp sponge or cloth. **Do not** use polish on plastic parts.
5. Lifetime lubrication is done at the factory, so your washer never needs to be oiled or greased.
6. **Do not** lay heavy or sharp objects on top of your washer.
7. The top of the washer should not be used for removing stains from garments. Some stain removers, such as rust remover, will mar the finish.
8. Remove pins, buckles or other sharp objects from clothes to prevent scratching interior parts.
9. Clothes should not be stored in washer.
10. Bleach, detergent, solvents, etc. spilled on the top of your washer that are allowed to remain will remove the glossy finish. Remove all spills with a damp, soft cloth.
11. If you close your home for the winter, have a service technician drain the washer. Unplug cord from electrical outlet and disconnect hoses from faucets.

For this reason, the cycle will always be completed. If heavier fabrics in such out-of-balance loads should ever contain excessive moisture at the completion of the cycle, redistribute the clothes in the washer and reset the control dial for the final spin period.

Overload Protector

A built-in protector automatically shuts off the washer motor in case of an overload. This can occur if:

- The load being washed is too heavy.
- Too many appliances are plugged into the line operating your washer.
- A low voltage condition exists on the line.
- Lid is opened and closed repeatedly.

The overload protector permits the washer to start again when the motor has cooled to a safe operating temperature. If the motor stops repeatedly, call your service technician.

Cleaning the Interior

Clean the interior of the washer periodically to remove any dirt, soil, odor, mold, mildew or bacteria residue that may remain in the washer as a result of washing clothes. We recommend taking the following steps every 60 to 120 days to clean and freshen your washer interior. The frequency with which the washer should be cleaned and freshened depends on factors such as usage, the amount of dirt, soil or bacteria being run through your washer, or the use of cold water. Failure to follow these instructions may result in unsatisfactory conditions, including unpleasant odor and/or permanent stains on the washer or washload.

To clean and freshen the washer interior:

1. Add a measured amount of chlorine bleach to the bleach dispenser, following package directions.
2. Add 1/4 cup of detergent to the tub.
3. Run the washer without a load through a complete cycle using hot water.
4. Repeat the process if necessary.



Troubleshooting

Won't Fill	<ul style="list-style-type: none"> • Plug cord into live electrical outlet. • Check fuse or reset circuit breaker. • Turn the control knob to proper cycle and pull knob out to start the washer. • Turn both faucets on fully. • Straighten inlet hoses. • Disconnect hoses and clean screens. Hose filter screens may be plugged.
Won't Agitate	<ul style="list-style-type: none"> • Check fuse or reset circuit breaker. • Make sure the lid is completely closed. • Turn the control knob to proper cycle and pull knob out to start the washer. • Pauses are normal. Wait and see if the washer will start again.
Won't Spin or Drain	<ul style="list-style-type: none"> • Check fuse or reset circuit breaker. • Straighten drain hoses. Eliminate kinked hoses. If there is a home drain restriction, call for drain service. • Close lid and pull knob out to start the washer. For your safety, washer will not spin unless the lid is closed. • Suds lock – caused by too much suds. Rewash without detergent. Use correct amount of a low-sudsing detergent.
Load is Wet	<ul style="list-style-type: none"> • Unevenly distributed load. Redistribute the load, close the lid and reset the control dial for the final spin period. Check for leveling. Be sure water level is acceptable for load size. • A normal spin speed is recommended for heavy loads like jeans or towels.
Stops	<ul style="list-style-type: none"> • Plug cord into live electrical outlet. • Check fuse or reset circuit breaker. • Close lid and pull knob out to start the washer. For your safety, washer will not spin unless lid is closed. • This may be a pause in the cycle. Wait briefly and it may start.
Leaks Water	<ul style="list-style-type: none"> • Make sure hose connections are tight. • Make sure end of drain hose is correctly inserted and secured to drain facility. • Avoid extended soaking – soak for 30 minutes or less. • Avoid overloading.
Is Noisy	<ul style="list-style-type: none"> • Be sure washer is leveled properly as outlined in installation manual. • Weak floors can cause vibration and walking. • Operating sounds will vary depending on agitation speed.
Fills with the Wrong Temperature Water	<ul style="list-style-type: none"> • Turn both faucets on fully. • If equipped with a temperature selector dial, be sure it is set directly on a temperature setting and not between settings. • Make sure temperature selection is correct. • While the washer is filling, you may notice just hot and/or just cold water entering the tub when cold or warm wash temperatures are selected. This is a normal function of the Automatic Temperature Control (select models) feature as the washer determines the temperature of the water. • If Auto Temperature Control (select models) is selected, cold water may feel warmer than cold water from the tap. • Make sure hoses are connected to correct faucets and inlet connections. Be sure water supply is regulated correctly. Flush water line before filling washer. • Check the water heater. It should be set to deliver a minimum 120° F (49° C) hot water at the tap. Also check water heater capacity and recovery rate. • Disconnect hoses and clean screens. Hose filter screens may be plugged.
Cycle Selector Advances Through Off	<ul style="list-style-type: none"> • Extra Rinse (select models) is selected.

For further assistance contact Maytag ServicesSM, Customer Assistance: 1-800-688-9900 U.S.A. or 1-800-688-2002 Canada. U.S.A. Customers using TTY for deaf, hearing impaired or speech impaired, cal 1-800-688-2080.



Warranty & Service

Warranty

Limited One Year Warranty - Parts and Labor

For **one (1) year** from the original retail purchase date, any part which fails in normal home use will be repaired or replaced free of charge.

Canadian Residents

The above warranties only cover an appliance installed in Canada that has been certified or listed by appropriate test agencies for a compliance to a National Standard of Canada unless the appliance was brought into Canada due to transfer of residence from the United States to Canada.

*The specific warranties expressed above are the **ONLY** warranties provided by the manufacturer. These warranties give you specific legal rights, and you may also have other rights which vary from state to state.*

CUSTOMER'S SOLE AND EXCLUSIVE REMEDY UNDER THIS LIMITED WARRANTY SHALL BE PRODUCT REPAIR AS PROVIDED HEREIN. IMPLIED WARRANTIES, INCLUDING WARRANTIES OF MERCHANTABILITY OR FITNESS FOR A PARTICULAR PURPOSE, ARE LIMITED TO ONE YEAR OR THE SHORTEST PERIOD ALLOWED BY LAW. MAYTAG CORPORATION SHALL NOT BE LIABLE FOR INCIDENTAL OR CONSEQUENTIAL DAMAGES. SOME STATES AND PROVINCES DO NOT ALLOW THE EXCLUSION OR LIMITATION OF INCIDENTAL OR CONSEQUENTIAL DAMAGES, OR LIMITATIONS ON THE DURATION OF IMPLIED WARRANTIES OF MERCHANTABILITY OR FITNESS, SO THESE EXCLUSIONS OR LIMITATIONS MAY NOT APPLY TO YOU. THIS WARRANTY GIVES YOU SPECIFIC LEGAL RIGHTS AND YOU MAY ALSO HAVE OTHER RIGHTS, WHICH VARY STATE TO STATE OR PROVINCE TO PROVINCE.

What is Not Covered By These Warranties

1. Conditions and damages resulting from any of the following:
 - a. Improper installation, delivery, or maintenance.
 - b. Any repair, modification, alteration, or adjustment not authorized by the manufacturer or an authorized servicer.
 - c. Misuse, abuse, accidents, unreasonable use, or acts of God.
 - d. Incorrect electric current, voltage, electrical and/or gas supply.
 - e. Improper setting of any control.
2. Warranties are void if the original serial numbers have been removed, altered, or cannot be readily determined.
3. Light bulbs, water filters and air filters.
4. Products purchased for commercial or industrial use.
5. The cost of service or service call to:
 - a. Correct installation errors. For products requiring ventilation, rigid metal ducting must be used.
 - b. Instruct the user on the proper use of the product.
 - c. Transport the appliance to and from the servicer.
6. Any food loss due to refrigerator or freezer product failures.
7. Expenses for travel and transportation for product service in remote locations.
8. Outside of the United States and Canada this warranty does not apply. Contact your dealer to determine if another warranty applies.
9. Consequential or incidental damages sustained by any person as a result of any breach of these warranties. Some states do not allow the exclusion or limitation of consequential or incidental damages, so the above exclusion may not apply.

If You Need Service

First see the Troubleshooting section in your Use and Care Guide or call the dealer from whom your appliance was purchased or call Maytag Services, LLC, Customer Assistance at 1-800-688-9900 USA and 1-800-688-2002 Canada to locate an authorized servicer.

- Be sure to retain proof of purchase to verify warranty status. Refer to WARRANTY for further information on owner's responsibilities for warranty service.
- If the dealer or service company cannot resolve the problem, write to Maytag Services, LLC, Attn: CAIR® Center, P.O. Box 2370, Cleveland, TN 37320-2370, or call **1-800-688-9900 USA and 1-800-688-2002 Canada**. U.S. customers using TTY for deaf, hearing impaired or speech impaired, call 1-800-688-2080.
- User's guides, service manuals and parts information are available from Maytag Services, LLC, Customer Assistance.

Notes: When writing or calling about a service problem, please include:

- a. Your name, address and telephone number;
- b. Model number and serial number;
- c. Name and address of your dealer or servicer;
- d. A clear description of the problem you are having;
- e. Proof of purchase (sales receipt).

Vêtements

Laveuse

Guide d'utilisation et d'entretien

CW-3

CROSLEY



Table des matières



**Importantes consignes
de sécurité** 13-14



Utilisation des commandes
**Modèles à combinaison
à trois vitesses** 15-16

**Modèles à combinaison à trois vitesses
avec cycle de détachage** 17-18



Fonctionnement 19



**Caractéristiques
spéciales** 20-21



Nettoyage et entretien 21



Recherche des pannes 22



**Garantie et service
après-vente** 23

Guía de uso y cuidado 24



Importantes consignes de sécurité

Installateur : Veuillez laisser le présent guide avec l'appareil.

Client : Veuillez lire le présent guide et le conserver pour référence future. Conservez aussi les reçus de caisse et les chèques oblitérés à titre de preuve d'achat.

Numéro de modèle _____

Numéro de série _____

Date d'achat _____

Pour toute question, contacter :

Service à la clientèle
1-800-688-2002 Canada
(lundi au vendredi, 8 h à 20 h, heure de l'Est)

En raison de nos efforts constants d'amélioration de la qualité de nos appareils électro-ménagers, il se peut qu'une laveuse soit modifiée sans que le guide soit révisé.

Pour le service après-vente, voir page 23.

⚠ AVERTISSEMENT ! RISQUE D'INCENDIE

Ne pas ajouter d'essence, de solvants de nettoyage à sec ou toute autre substance inflammable ou explosive à l'eau de lavage. Ces substances produisent des vapeurs qui pourraient s'enflammer ou exploser.

Ne pas laver d'articles qui ont auparavant été nettoyés, lavés, trempés ou détachés à l'aide d'essence, de solvants de nettoyage à sec, d'huiles, de cires, de solvants chimiques, d'alcool, de térébenthine ou d'autres produits explosifs ou inflammables. Ces substances resteront incrustées dans les articles, et ceux-ci produisent des vapeurs qui peuvent s'enflammer ou exploser.

Suivre ces précautions lors de l'utilisation de produits nettoyants liquides, de détachants, etc. Ces produits doivent porter la mention ininflammable. Utiliser conformément aux directives du fabricant dans un endroit bien aéré ou à l'extérieur. Rincer à fond les articles à la main avant de les mettre dans la laveuse. Certains produits - ceux qui enlèvent la rouille par exemple - peuvent endommager les pièces et la finition de la laveuse.

Éviter toute accumulation de matériaux combustibles, tels que la charpie, le papier, les chiffons, l'essence et autres vapeurs et liquides inflammables, sous la laveuse et autour de celle-ci.

L'HYDROGÈNE EST UN GAZ EXPLOSIF ! Dans certaines conditions, il peut y avoir production d'hydrogène dans un système de chauffage d'eau qui n'est pas utilisé pendant 2 semaines ou davantage. Si le système de chauffage d'eau n'a pas été utilisé pendant une telle durée, ouvrir tous les robinets d'eau chaude et laisser couler l'eau pendant plusieurs minutes avant d'utiliser la laveuse. Ceci élimine toute accumulation d'hydrogène. Ce gaz étant inflammable, ne pas fumer ni utiliser de flamme vive pendant cette procédure.

Des études récentes ont démontré que si les substances contaminées d'huile végétale ne sont pas complètement nettoyées, une accumulation d'huile peut provoquer une réaction chimique (combustion spontanée) qui pourrait causer un incendie. Cela risque davantage de survenir lorsque les vêtements sont laissés dans la sècheuse après que le tambour ait cessé de tourner ou que les articles sont pliés et empilés avant que la chaleur ne se soit dissipée.

Ce qu'il faut savoir à propos des consignes de sécurité

Les consignes de sécurité et les mises en garde présentées dans ce guide ne couvrent pas toutes les situations possibles. Faire preuve de jugement, de prudence et d'attention lors de l'installation, de l'entretien et de l'utilisation de l'appareil.

Lorsque survient un problème ou une situation inhabituelle, toujours communiquer avec le fabricant.

Reconnaissez les étiquettes, phrases ou symboles sur la sécurité

⚠ AVERTISSEMENT

AVERTISSEMENT – Risques ou pratiques non sûres, qui **POURRAIENT** résulter en de graves blessures ou même la mort.

⚠ ATTENTION

ATTENTION – Risques ou pratiques non sûres qui **POURRAIENT** résulter en blessures mineures.



Importantes consignes de sécurité

⚠ AVERTISSEMENT

Pour réduire les risques d'incendie, d'explosion, d'électrocution ou de blessures lors de l'utilisation de cet appareil, suivre les précautions d'usage, dont les suivantes :

1. Lire toutes les instructions avant d'utiliser la laveuse.
2. Comme avec tout équipement fonctionnant à l'électricité et comportant des pièces mobiles, il existe toujours des possibilités de danger. Pour utiliser cette machine dans les meilleures conditions de sécurité, l'opérateur doit se familiariser avec les instructions de fonctionnement de l'appareil et user de prudence pendant son utilisation.
3. **Ne pas** installer ni remiser la laveuse dans un endroit où elle est exposée aux intempéries.
4. Installer la laveuse et la mettre de niveau sur un plancher pouvant supporter son poids.
5. Cet appareil doit être correctement mis à la terre. Ne jamais brancher le câble électrique d'une laveuse sur une prise murale non mise à la terre conformément aux codes locaux et nationaux. Voir les instructions d'installation pour la mise à la terre de cette machine.
6. Pour éviter les risques d'incendie ou d'explosion :
 - a. **Ne pas** laver d'articles qui ont auparavant été nettoyés ou lavés à l'aide d'essence, de solvants de nettoyage à sec ou d'autres produits explosifs ou inflammables, ou qui en sont imbibés ou éclaboussés, car ces substances produisent des vapeurs qui peuvent s'enflammer ou exploser. Laver à la main et sécher à l'air tout article contenant ces substances.

Tout tissu sur lequel des solvants de nettoyage ont été utilisés ou qui est saturé de liquides ou solides inflammables ne doit pas être mis dans la laveuse avant que toute trace et toute vapeur de ces liquides ou solides ne soient complètement éliminées.

Ces produits comprennent l'acétone, l'alcool dénaturé, l'essence, le kérosène, certains produits de nettoyage ménagers, les détachants, la térébenthine, les cires et les décapants de cire.
 - b. **Ne pas** ajouter d'essence, de solvants de nettoyage à sec ou toute autre substance inflammable ou explosive à l'eau de lavage. Ces substances produisent des vapeurs qui pourraient s'enflammer ou exploser.
 - c. Dans certaines conditions, il peut y avoir production d'hydrogène dans un système de chauffage d'eau qui n'est pas utilisé pendant 2 semaines ou plus. L'HYDROGÈNE EST UN GAZ EXPLOSIF. Si le système de chauffage d'eau n'est pas utilisé sur une telle durée, ouvrir tous les robinets d'eau chaude et laisser couler l'eau pendant plusieurs minutes avant d'utiliser à laveuse ou à ensemble laveuse-sècheuse. Ceci élimine toute accumulation d'hydrogène. Ce gaz étant inflammable, **ne pas** fumer ni utiliser de flamme vive pendant cette procédure.
- d. **Ne pas** laver ou sécher d'articles tachés d'huile végétale ou de cuisson. Ces articles pourraient être encore imprégnés d'huile après la lessive. Pour cette raison, le tissu pourrait émettre des fumées ou prendre feu de lui-même.
7. **Ne pas** mettre la main ou le bras dans la laveuse si l'agitateur ou cuve est en mouvement.
8. **Ne pas** permettre aux enfants ou aux animaux familiers de jouer sur l'appareil, à l'intérieur ou en face de celui-ci. Une supervision étroite est nécessaire lorsque l'appareil est utilisé à proximité d'enfants ou d'animaux familiers.
9. **Ne pas** modifier les mécanismes de commande.
10. **Ne pas** réparer ou remplacer une pièce de la laveuse ou procéder à un dépannage, sauf si les instructions publiées le recommandent et que la personne effectuant la réparation les comprend et possède les connaissances voulues pour les exécuter.
11. Débrancher le cordon d'alimentation électrique avant d'essayer de réparer la laveuse. Les réparations ne doivent être effectuées que par du personnel qualifié.
12. L'agitateur ne doit pas être retiré. S'il est retiré, le replacer en l'enfonçant à fond, puis serrer la vis de blocage avant de faire fonctionner la laveuse.
13. Conserver tous les produits de lessive, les détergents, les produits de blanchiment, etc., hors de portée des enfants, et de préférence dans une armoire fermée à clé. N'utiliser ces produits que selon les directives du fabricant. Observer tous les avertissements paraissant sur les étiquettes des différents produits.
14. S'assurer que toute la zone autour de la laveuse et en dessous, soit dégagée de toute accumulation de matériaux combustibles comme charpie, papier, chiffons, essence et tout autre liquide ou vapeur inflammable.
15. **Ne pas** mélanger de javellisant et d'ammoniaque ou d'acides (tels que du vinaigre ou du produit pour enlever la rouille) pour une même charge de linge. Des vapeurs nocives peuvent se former.
16. **Ne pas** laver d'articles en fibre de verre à la laveuse. De petites particules peuvent se coller sur le linge lavé par la suite et provoquer des irritations cutanées.
17. Apprêts résistants aux flammes – suivre attentivement les instructions du fabricant du vêtement. Un vêtement incorrectement lavé ou séché pourrait perdre son apprêt ignifuge.
18. Avant de mettre la laveuse hors service ou au rebut, retirer la porte du compartiment de lavage.
19. Les tuyaux d'alimentation se détériorent progressivement. Inspecter les tuyaux à intervalle régulier; rechercher dilatations, écrasements, coupures, fuites et indices d'usure. Remplacer les tuyaux après 5 ans de service.

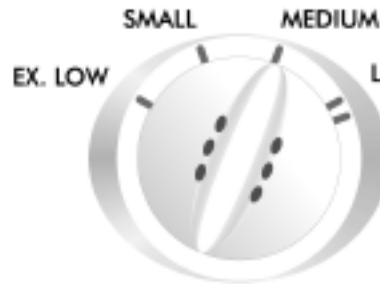
CONSERVER CES INSTRUCTIONS



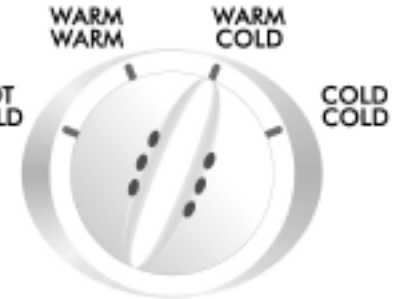
Utilisation des commandes

Modèles à combinaison à trois vitesses

CROSLEY
HEAVY DUTY
Giant Capacity Plus
Quiet Series
3 Speed Combo
10 Cycles
PowerSurge Agitator



WATER LEVEL



WASH/RINSE TEMP

ÉTAPE 1

Sélection du niveau d'eau

Régler le sélecteur sur le réglage correspondant à la grosseur de la charge. Cette sélection devrait fournir le niveau d'eau suffisante pour permettre la circulation de la charge au cours de l'agitation.

Il peut s'avérer nécessaire, en raison de l'épaisseur de certains tissus, de régler le niveau d'eau après le début de l'agitation. Pour régler le niveau d'eau, placer le sélecteur sur la position **reset** (nouveau réglage), puis le positionner en face de la quantité d'eau désirée.

RÉGLAGE DU NIVEAU D'EAU	GROSSEUR DE LA CHARGE
Ex. Low (extra-basse) (certains modèles)	1/4 plein
Small (petit)	1/4 – 1/2 plein
Medium (moyen)	1/2 – 3/4 plein
Large (élevé)	3/4 plein – plein

Remarque: Pour des résultats optimaux, le linge doit circuler librement.

ÉTAPE 2

Sélection de la température de l'eau de lavage/rinçage

La température de l'eau de lavage peut être chaude, tiède ou froide, tandis que la température de l'eau de rinçage peut être tiède ou froide (certains modèles). Le tableau présenté ci-dessous sert de guide.

TEMPÉRATURE LAVAGE/RINÇAGE	TYPE DE CHARGE
Hot/Cold (chaude/froide)	Blancs et couleurs bon teints très sales.
Warm/Warm (tiède/tiède) (certains modèles)	Articles de couleur modérément sales.
Warm/Cold (tiède/froide)	Articles de couleur ; la plupart des articles infroissables.
Cold/Cold (froide/froide)	Articles aux couleurs vives, peu sales ; lainages lavables.

Remarque: À moins de 16 °C (60 °F), l'eau est trop froide pour dissoudre les détergents en poudre et les activer. Les étiquettes d'entretien considèrent l'eau froide jusqu'à 29 °C (85 °F).



ÉTAPE 3

Sélection de Extra Rinse (rinçage supplémentaire) (si l'on désire) (certains modèles)

Lorsque le sélecteur est à la position **On** (marche), un rinçage supplémentaire suit les cycles tissu normal pour enlever complètement les additifs des détergents à lessive, la mousse de savon, les parfums, etc.

ÉTAPE 4

Sélection du cycle

Pour sélectionner un cycle, **pousser** sur le sélecteur (en position arrêt) et le tourner vers la *droite* (dans le sens des aiguilles d'une montre) jusqu'à ce que la flèche soit vis-à-vis le niveau de saleté requis en le cycle Regular (tissus normale), Wrinkle-Free Clothes (vêtements infroissables) ou cycle Delicates (linge délicat).

Cycle Regular (pour tissus normale)

Procure une vitesse d'agitation et d'essorage normale pour laver les articles en coton et le linge très sale.

Cycle Wrinkle-Free Clothes (cycle vêtements infroissables)

Procure une vitesse d'agitation normale les six premières minutes, une pause, puis une agitation lente pour le restant du cycle de lavage, afin de protéger les tissus infroissables. La vitesse d'essorage sera normale pour réduire la rétention d'eau.

Cycle Delicates (pour tricots et tissus délicats)

Procure une vitesse d'agitation lente et une vitesse d'essorage lente pour les tricots et les tissus délicats.

ÉTAPE 5

Tirer le sélecteur pour mettre en marche

la laveuse peut être arrêtée à tout moment en **poussant** sur le sélecteur. Il est alors possible d'obtenir un trempage sans agitation ou de raccourcir, sauter ou répéter toute partie d'un cycle. Le sélecteur doit être **enfoncé** (position arrêt) lorsque le réglage est modifié.

Remarque: Ne pas tourner le sélecteur dans le sens contraire des aiguilles d'une montre car la minuterie pourrait se trouver endommagée.



Utilisation des commandes Modèles à combinaison à trois vitesses avec cycle de détachage



ÉTAPE 1

Choisir le signal

Signal - fin de cycle

Lorsque le cycle est terminé, un signal sonore retentit plusieurs fois. Le volume sonore du signal est réglable. Pour régler le volume, choisir tout réglage entre **OFF** (arrêt) et **LOUD** (volume puissant).

ÉTAPE 2

Sélection du niveau d'eau

Régler le sélecteur sur le réglage correspondant à la grosseur de la charge. Cette sélection devrait fournir le niveau d'eau suffisante pour permettre la circulation de la charge au cours de l'agitation.

Il peut s'avérer nécessaire, en raison de l'épaisseur de certains tissus, de régler le niveau d'eau après le début de l'agitation. Pour régler le niveau d'eau, placer le sélecteur sur la position **reset** (nouveau réglage), puis le positionner en face de la quantité d'eau désirée.

RÉGLAGE DU NIVEAU D'EAU	GROSSEUR DE LA CHARGE
Ex. Low (extra-basse)	1/4 plein
Small (petit)	1/4 - 1/3
Medium (moyen)	1/3 - 1/2
Large (élevé)	1/2 - 2/3
Extra Large (extra élevé)	3/4 - plein

Remarque: Pour des résultats optimaux, le linge doit circuler librement.

ÉTAPE 3

Sélection du cycle de lavage/essorage

la laveuse est programmée pour effectuer quatre combinaisons de vitesse de lavage et d'essorage.

VITESSES DE LAVAGE/ESSORAGE	TYPE DE LINGE
Normal/Normal (normale/normale)	Tissus résistants nécessitant une extraction maximum d'eau.
Normal/Slow (normale/lente)	Tissus solides nécessitant une vitesse d'essorage plus lente pour éviter qu'ils se froissent.
Slow/Slow (lente/lente)	Tissus délicats ayant besoin d'une vitesse plus lente de lavage et d'essorage, en raison de la confection des vêtements.

ÉTAPE 4

Sélection de la température de lavage/rinçage de l'eau

La température de lavage de l'eau peut être chaude, tiède ou froide, tandis que la température de rinçage de l'eau peut être tiède ou froide. Le tableau présenté ci-dessous sert de guide.

TEMPÉRATURE LAVAGE/RINÇAGE	TYPE DE CHARGE
Hot/Cold (chaude/froide)	Blanc très sale et couleurs bon teint.
Warm/Cold (tiède/froide)	Linge modérément sale, articles de couleur ; la plupart des articles à pli permanent.
Cold/Cold (froide/froide)	Articles aux couleurs vives, peu sales ; lainages lavables.



TEMPÉRATURE LAVAGE/RINÇAGE	TYPE DE CHARGE
Réglage par le système de commande automatique de température :	
ATC Warm/Warm (CAT eau tiède/tiède) ATC Warm/Cold (CAT eau tiède/froide)	Économise de l'énergie en ajoutant de l'eau froide à de l'eau chaude à partir du chauffe-eau. Donne un lavage optimal à des températures plus basses.
ATC Cold/Cold (CAT eau froide/froide)	De l'eau chaude peut être ajoutée à l'eau froide lors du remplissage de la laveuse. Ceci assure que l'eau sera suffisamment tiède pour bien activer le détergent.

Remarque: À moins de 16 °C (60 °F), l'eau est trop froide pour dissoudre les détergents en poudre et les activer.

ÉTAPE 5

Sélection du cycle

Pour sélectionner un cycle, **pousser** sur le sélecteur et le tourner vers la *droite* (dans le sens des aiguilles d'une montre) jusqu'à ce que la flèche soit vis-à-vis la durée de lavage (en minutes) désirée.

IMPORTANT : Pour un entretien maximal des tissus, il faut choisir la vitesse appropriée de lavage et d'essorage correspondant au type de charge, à l'aide du bouton de vitesse de lavage/essorage.

Cycle Regular/Delicates (pour tissus normales/déliçates)

Les cycles pour tissus normale/déliçates partagent la même portion du sélecteur. Pour les tissus normale, sélectionner le cycle et tourner le sélecteur de vitesse Wash/Spin (lavage/essorage) à Normal/Normal (normale/normale). Pour les tissus délicate, sélectionner Slow/Slow (lente/lente).

Cycle Wrinkle-Free Clothes (cycle vêtements infroissables)

Ce cycle procure jusqu'à 12 minutes. Selon la charge, placer le sélecteur de vitesse Normal/Slow (normale/lente) ou Slow/Slow (lente/lente) vitesses de lavage/essorage.

Cycle Stain Cleaner (détachage)

Procure environ 30 minutes d'agitation et de trempage pour mieux enlever les taches et la saleté rebelle. Pour plus de renseignements, voir page 20.

ÉTAPE 6

Sélection de Extra Rinse (rinçage supplémentaire) (si l'on désire)

Lorsque le commutateur est à la position **On** (marche), un rinçage supplémentaire suit le cycles Regular/Delicates (tissus normale/fragiles) pour enlever complètement les additifs des détergents à lessive, la mousse de savon, les parfums, etc.

ÉTAPE 7

Tirer le sélecteur pour mettre en marche

la laveuse peut être arrêtée à tout moment en **poussant** sur le sélecteur. Il est alors possible d'obtenir un trempage sans agitation ou de raccourcir, sauter ou répéter toute partie d'un cycle. Le sélecteur doit être **enfoncé** (position arrêt) lorsque le réglage est modifié.

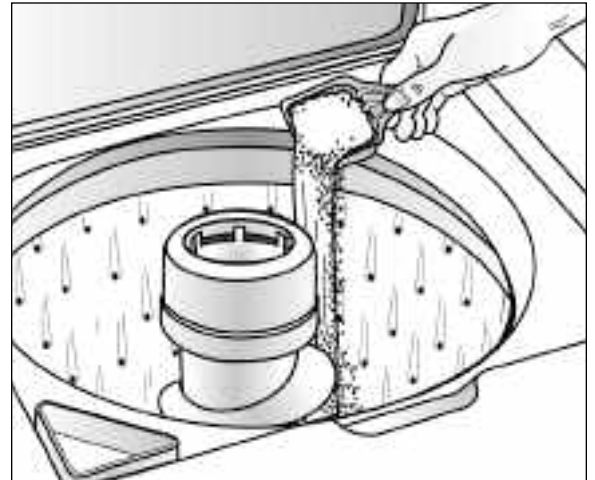
Remarque: Ne pas tourner le sélecteur dans le sens contraire des aiguilles d'une montre car la minuterie pourrait se trouver endommagée.



Fonctionnement

Détergent

- Utiliser du détergent liquide ou en poudre. **Pour des résultats optimaux, ajouter suffisamment de détergent dans la laveuse AVANT de la remplir et régler la température de l'eau à plus de 16 °C (60 °F).**
- Utiliser la quantité de détergent qui convient à la charge, au degré de saleté et à la dureté de l'eau. Utiliser plus de détergent si l'eau est dure et que la charge est très sale.
Si l'eau est douce ou que la charge est peu sale, utiliser moins de détergent. (Voir les instructions du fabricant.)
- Essuyer la laveuse si elle se trouve éclaboussée de détergent.



Chargement

- Pour des résultats optimaux, mettre du détergent dans la cuve avant d'ajouter le linge.
- Mettre le linge sec, non plié sans le tasser dans la laveuse, en remplissant le panier jusqu'au rang supérieur de trous pour une charge maximum.
- **Ne pas** enrouler de grands articles tels que des draps autour de l'agitateur.
- Pour une meilleure circulation, mélanger les petits et les grands articles. Laver les articles volumineux comme les couvertures séparément.
- Lors du lavage d'articles infroissables, fragiles, de lainages lavables ou d'articles en tricot à mailles lâches, ne jamais utiliser un niveau d'eau inférieur au réglage MEDIUM (moyen). Ils auront moins tendance à rétrécir, à se froisser et les coutures tiendront mieux.
- Refermer soigneusement le couvercle pour qu'il ne claque pas.



Conseils supplémentaires

- Il est possible que la charge puisse être déséquilibrée pendant l'essorage. Si cela se produit, **pousser** sur le sélecteur, ouvrir le couvercle, rééquilibrer la charge, fermer le couvercle et mettre la laveuse en marche. L'essorage reprend au point où il s'était interrompu.
- Cette machine effectue des pauses à plusieurs reprises au cours d'un cycle de lavage. Ces pauses momentanées font partie de son fonctionnement normal.
- Cette laveuse est conçue pour ne pas essorer lorsque que le couvercle est ouvert. Toutefois, elle se remplit et l'agitation a lieu même si le couvercle est ouvert pour que l'eau soit disponible pour permettre le pré-lavage des taches ou la dilution de l'adoucissant.
- Si le couvercle est ouvert au cours d'un cycle d'essorage, la laveuse s'arrête. Une fois le couvercle fermé et la laveuse en marche, le cycle reprend là où il avait été interrompu.



Caractéristiques spéciales

Distributeur de javellisant liquide

Le distributeur dilue automatiquement le javellisant liquide avant qu'il atteigne le linge. Pour l'utiliser, procéder comme suit :

1. Mesurer la quantité de javellisant liquide avec soin en suivant les instructions sur le récipient.
2. **Verser le javellisant liquide dans le distributeur de javellisant avant d'ajouter le linge.** Éviter les éclaboussures ou le débordement du distributeur.



Verser le javellisant liquide dans le distributeur de javellisant.

Remarques :

- Ne jamais verser de javellisant liquide non dilué directement sur le linge ou dans la cuve. Ce produit chimique est puissant et peut endommager les tissus, en les déchirant ou décolorant, s'il n'est pas utilisé correctement.
- Lorsqu'un javellisant sans chlore et sans danger pour les couleurs est utilisé, le verser dans la cuve avec le détergent. **Ne pas** verser de javellisant sans chlore dans le distributeur de javellisant.

Instant Water (Eau instantanée) (certains modèles)

Introduction d'eau lorsque le sélecteur est maintenu à la position **On** (marche).



Distributeur d'assouplissant

Ce distributeur ajoute l'adoucissant liquide au moment voulu du cycle.

Pour l'utiliser, procéder comme suit :

1. Verser la quantité voulue de liquide dans le distributeur, jusqu'au repère de remplissage seulement.
2. Si le liquide n'atteint pas le repère, ajouter de l'eau tiède.

S'il devient nécessaire de nettoyer le distributeur :

1. Retirez le distributeur du haut de l'agitateur.
2. Trempez-le pendant une heure dans l'évier ou dans un récipient dans une solution d'eau chaude et de détergent liquide pour la vaisselle.
3. Mettez les mains sur le dessus et le dessous du distributeur et secouez-le, pour déloger les dépôts des côtés du distributeur.
4. Le rincer à l'eau chaude.
5. Répétez au besoin le processus.
6. Remettre le distributeur sur l'agitateur.

N'utilisez pas de liquide pour la vaisselle à l'intérieur de la laveuse, il y aurait risqué d'un excès de mousse.



Cycle Stain Cleaner (détachage)(certains modèles)

Le cycle stain cleaner évite d'avoir à faire tremper du linge taché avant de le mettre dans la laveuse il faut :

1. Ajouter du détergent liquide ou en poudre dans la cuve de la laveuse.
2. Ajouter le linge.
3. Ajouter du **détergent liquide**, seulement dans le distributeur de détergent liquide, en haut de l'agitateur.
4. Tourner le bouton pour permettre le démarrage du cycle stain cleaner.

Le linge va tremper pendant 30 minutes, avec de brèves périodes d'agitation. Ensuite, le linge est essoré, de l'eau de lavage propre est ajoutée ainsi que du détergent liquide, pour un cycle de 16-minute environ.

Filtre à charpie auto-nettoyant

Le filtre à charpie auto-nettoyant ne nécessite aucun entretien.

L'eau de lavage et de rinçage est filtrée et refiltrée continuellement pour retenir la charpie laissée par la plupart des tissus durant le cycle d'agitation avant d'être déposée de nouveau sur le linge. La conception des trous percés dans la cuve de lavage et le débit d'eau produit par l'agitateur permettent conjointement de retenir la charpie entre la cuve intérieure de lavage et la cuve extérieure. La charpie est automatiquement évacuée de la laveuse pendant le cycle d'essorage.



Caractéristiques spéciales

Essorage sécuritaire

Si pour une raison quelconque le couvercle de la laveuse est ouvert pendant le cycle d'essorage ou la période d'extraction, l'essorage sera interrompu immédiatement pour votre sécurité. Si la laveuse ne s'arrête pas, appeler immédiatement un technicien. Lorsque le couvercle est refermé, l'essorage se poursuit automatiquement.

Compensateur de charge déséquilibrée pendant l'essorage

Cette laveuse est conçue pour contenir des charges déséquilibrées sans s'arrêter ou interrompre le cycle de lavage.

Pour cette raison, le cycle sera toujours complété. Si des tissus plus épais contenus dans les charges déséquilibrées renferment un surplus d'humidité à la fin du cycle, redistribuer le linge dans la laveuse et régler de nouveau le sélecteur pour terminer l'essorage.

Dispositif de protection contre les surcharges

Un dispositif de protection intégré arrête automatiquement le moteur de la laveuse en cas de surcharge. Cela peut se produire dans l'un des cas suivants :

- Charge trop lourde dans la laveuse.
- Surplus d'appareils ménagers branchés dans la ligne de la laveuse.
- Faible tension sur la ligne.
- Couvercle ouvert et fermé à répétition.

Le dispositif de protection contre les surcharges permet de remettre en marche la laveuse lorsque le moteur a refroidi à une température de fonctionnement sécuritaire.

Si le moteur s'arrête souvent, appeler le technicien.



Nettoyage et entretien

1. Après le lavage, laisser le couvercle ouvert jusqu'à ce que l'intérieur soit sec.
2. Vérifier les boyaux pour s'assurer qu'il n'y a pas de noeuds ou d'entortillements.
3. la laveuse ne doit pas être installée où la température descend sous le point de congélation car cela pourrait endommager la laveuse.
4. Essuyer de temps à autre l'extérieur de la laveuse avec une éponge ou un linge propre et humide. **Ne pas** polir les parties en plastique.
5. Une lubrification à vie est effectuée à l'usine ; la laveuse ne nécessite donc aucune huile ou graisse.
6. **Ne pas** déposer d'articles lourds ou tranchants sur le dessus de la laveuse.
7. Le dessus de la laveuse ne doit pas être utilisé pour détacher les vêtements. Certains détachants, pour la rouille, entre autres, abîmeront le fini.
8. Enlever les épingles, les ceintures et autres objets tranchants des vêtements afin de prévenir les égratignures sur les parties intérieures.
9. Les vêtements ne doivent pas être rangés dans la laveuse.
10. Les javellisants, détergents, solvants et autres produits qui sont renversés sur le dessus de la laveuse et y demeurent ternissent le fini. Enlever toutes les éclaboussures avec un linge douce et humide.
11. Si vous fermez votre maison durant l'hiver, demandez à un technicien de vider l'eau de la laveuse. Débrancher le cordon d'alimentation de la prise de courant et les boyaux des robinets.

Nettoyage de l'intérieur

Nettoyer périodiquement l'intérieur de la laveuse pour retirer toutes saletés, odeurs ou bactéries qui resteraient dans la laveuse par suite du lavage du linge. Nous recommandons de suivre les étapes suivantes tous les 60 – 120 jours pour nettoyer et rafraîchir l'intérieur de la laveuse. La fréquence à laquelle la laveuse doit être nettoyée et rafraîchie dépend de facteurs tels qu'utilisation, quantité de saleté ou bactéries passant par la laveuse, ou encore l'utilisation d'eau froide. Le non-respect de ces directives peut entraîner des conditions insatisfaisantes, incluant de mauvaises odeurs et/ou des taches permanentes sur la laveuse ou sur la lessive.

Pour nettoyer et rafraîchir l'intérieur de la laveuse :

1. Ajouter une quantité mesurée de javellisant dans le distributeur de javellisant, en suivant les instructions données sur le paquet.
2. Ajouter 1/4 tasse de détergent dans la cuve.
3. Faire à la laveuse un cycle complet sans linge avec de l'eau très chaude.
4. Répéter au besoin le processus.

Recherche des pannes

Ne se remplit pas	<ul style="list-style-type: none"> • Brancher la laveuse sur une prise murale sous tension. • Vérifier le fusible ou réenclencher le disjoncteur. • Mettre le sélecteur sur le cycle voulu mettre la laveuse en marche. • Ouvrir les deux robinets à fond. • Redresser les boyaux d'arrivée. • Débrancher les boyaux et nettoyer les filtres. Les filtres des boyaux pourraient être bouchés.
Ne produit pas d'agitation	<ul style="list-style-type: none"> • Vérifier le fusible ou réenclencher le disjoncteur. • S'assurer que le couvercle est bien fermé. • Mettre le sélecteur sur le cycle voulu et mettre la laveuse en marche. • Les pauses sont normales. Attendre pour voir si la laveuse à laver va se remettre en marche.
N'essore pas, ne se vidange pas	<ul style="list-style-type: none"> • Vérifier le fusible ou réenclencher le disjoncteur. • Redresser les boyaux. Éliminer les boyaux ne pouvant plus être redressés. Si l'évacuation est bouchée, appeler le service après-vente. • Fermer le couvercle et mettre la laveuse en marche. Pour des raisons de sécurité, l'essorage ne fonctionnent pas si le couvercle est ouvert. • Blocage causé par une quantité trop abondante de mousse. Relaver sans détergent. Utiliser une quantité correcte de détergent à mousse réduite.
Linge mouillé	<ul style="list-style-type: none"> • Charge inégalement répartie. Redistribuer la charge, fermer le couvercle et remettre le bouton pour la période d'essorage final. S'assurer que le niveau d'eau choisi est suffisant pour la quantité de linge lavée. • Une vitesse d'essorage normale est recommandée pour du linge lourd comme jeans et serviettes.
S'arrête	<ul style="list-style-type: none"> • Brancher la laveuse sur une prise murale sous tension. • Vérifier le fusible ou réenclencher le disjoncteur. • Fermer le couvercle et mettre la laveuse en marche. Pour des raisons de sécurité, l'agitation et l'essorage ne fonctionnent pas si le couvercle est ouvert. • C'est peut-être simplement une pause du cycle de lavage. Attendre quelques minutes ; il est possible que la laveuse se remette en marche.
Fuit	<ul style="list-style-type: none"> • Vérifier que les raccords des boyaux sont bien serrés. • S'assurer que l'extrémité du boyau d'évacuation est insérée correctement et bien fixée sur le système d'évacuation. • Trempage prolongé ; faire tremper 30 minutes maximum. • Éviter de trop mettre de linge.
Est bruyante	<ul style="list-style-type: none"> • Vérifier que la laveuse a été mise de niveau tel qu'indiqué dans le guide de mise en service. • Les planchers peu solides peuvent produire des vibrations et le déplacement de la laveuse. • Des bruits de fonctionnement varient selon la vitesse de l'agitation.
Se remplit d'eau à une température incorrecte	<ul style="list-style-type: none"> • Ouvrir les deux robinets à fond. • Si la laveuse est dotée d'un sélecteur de température, vérifier que celui-ci est bien placé sur une température et non pas entre deux réglages. • S'assurer que la température sélectionnée est la bonne. • Lors du remplissage de la laveuse, vous pouvez remarquer que soit de l'eau chaude, soit de l'eau froide entre dans la cuve, alors que vous avez choisi des températures d'eau de lavage froide ou tiède. Ceci est une fonction normale de la commande automatique de température (certains modèles), la laveuse déterminant la température de l'eau. • Si le réglage Auto Temperature Control (contrôle automatique de la température) (certains modèles) a été sélectionné, l'eau froide peut paraître plus chaude par rapport à l'eau du robinet. • S'assurer que les boyaux sont raccordés aux robinets et raccords d'arrivée d'eau voulus. S'assurer que l'alimentation en eau est correctement réglée. Faire passer de l'eau sous forte pression dans les conduites avant de remplir la laveuse à laver. • Vérifier le chauffe-eau. Il doit être réglé pour assurer une eau chaude à 49 °C (120 °F) au robinet. Également vérifier la capacité du chauffe-eau et sa rapidité de chauffage une fois qu'il a été vidé. • Déconnecter les boyaux et nettoyer les filtres. Les filtres des boyaux pourraient être bouchés.
Le sélecteur passe automatiquement à un réglage au-delà de Off (arrêt)	<ul style="list-style-type: none"> • Un Extra Rinse rinçage supplémentaire, (certains modèles) a été sélectionné.

Pour une demande d'assistance, contacter sans frais le service-client Maytag au 1-800-688-2002.



Garantie et service après-vente

Garantie

Garantie limitée d'un an - pièces et main-d'œuvre

Durant une période d'un (1) an à compter de la date de l'achat initial, toute pièce qui se révélerait défectueuse dans les conditions normales d'usage ménager sera réparée ou remplacée gratuitement.

Résidents du Canada

Les garanties ci-dessus couvrent un appareil installé au Canada seulement s'il a été agréé par les agences de test habilitées (vérification de la conformité à une norme nationale du Canada), sauf si l'appareil a été introduit au Canada à l'occasion d'un changement de résidence des États-Unis vers le Canada.

*Les garanties spécifiques formulées ci-dessus sont les **SEULES** que le fabricant accorde. Ces garanties vous confèrent des droits juridiques spécifiques et vous pouvez également jouir d'autres droits, variables d'un État à l'autre ou d'une province à l'autre.*

LE SEUL ET UNIQUE RECOURS DU CLIENT EN VERTU DE CETTE GARANTIE LIMITÉE EST LA RÉPARATION DU PRODUIT COMME DÉCRITE PRÉCÉDEMMENT. LES GARANTIES IMPLICITES, Y COMPRIS LES GARANTIES DE QUALITÉ MARCHANDE OU D'ADAPTATION À UN USAGE PARTICULIER, SONT LIMITÉES À UN AN OU À LA PÉRIODE LA PLUS COURTE PERMISE PAR LA LOI. MAYTAG CORPORATION NE SERA PAS TENUE RESPONSABLE DES DOMMAGES DIRECTS OU INDIRECTS. CERTAINS ÉTATS ET CERTAINES PROVINCES INTERDISENT L'EXCLUSION ET LA LIMITATION DES DOMMAGES DIRECTS OU INDIRECTS AINSI QUE LES LIMITATIONS SUR LA DURÉE DES GARANTIES IMPLICITES DE QUALITÉ MARCHANDE OU D'ADAPTATION À UN USAGE PARTICULIER. IL EST DONC POSSIBLE QUE CES LIMITATIONS NE S'APPLIQUENT PAS À VOUS. CETTE GARANTIE VOUS CONFÈRE DES DROITS JURIDIQUES SPÉCIFIQUES ET IL SE PEUT QUE VOUS AYIEZ D'AUTRES DROITS, QUI VARIENT D'UN ÉTAT À L'AUTRE OU D'UNE PROVINCE À L'AUTRE.

Ne sont pas couverts par ces garanties

1. Les problèmes et dommages résultant des situations suivantes :
 - a. Mise en service, livraison ou entretien effectués incorrectement.
 - b. Toute réparation, modification, altération et tout réglage non autorisés par le fabricant ou par un prestataire de service après-vente agréé.
 - c. Mauvais emploi, emploi abusif, accidents, usage non raisonnable, ou catastrophe naturelle.
 - d. Courant électrique, tension, alimentation électrique ou en gaz incorrects.
 - e. Réglage incorrect d'une commande.
2. Les garanties ne peuvent être honorées si les numéros de série d'origine ont été enlevés, modifiés ou ne sont pas facilement lisibles.
3. Ampoules, filtres à eau et filtres à air.
4. Les produits achetés à des fins commerciales ou industrielles.
5. Les frais de dépannage ou de visite pour :
 - a. Correction d'erreurs de mise en service. Pour les produits nécessitant une ventilation, un conduit métallique rigide doit être utilisé.
 - b. Initiation de l'utilisateur à l'emploi de l'appareil.
 - c. Transport de l'appareil chez le réparateur et retour de l'appareil chez l'utilisateur.
6. Tout aliment perdu en raison de pannes du réfrigérateur ou du congélateur.
7. Dépenses de déplacement et de transport pour la réparation du produit dans des endroits éloignés.
8. Cette garantie n'est pas valide à l'extérieur des États-Unis et du Canada. Communiquez avec votre détaillant pour savoir si une autre garantie s'applique.
9. Dommages indirects ou accessoires subis par toute personne à la suite d'une quelconque violation des garanties. Certains États ou provinces ne permettent pas l'exclusion ou la limitation de responsabilité en ce qui concerne les dommages directs ou indirects. L'exclusion ci-dessus peut en conséquence ne pas s'appliquer à votre cas.

Si vous avez besoin d'aide

Consultez d'abord la section sur le dépannage dans le manuel d'utilisation et d'entretien, puis appelez le détaillant de qui vous avez acheté votre appareil ou le service à la clientèle de Maytag Services, LLC au 1-800-688-9900 aux États-Unis et au 1-800-688-2002 au Canada pour savoir où trouver un réparateur autorisé.

- Veuillez à conserver la facture d'achat pour justifier de la validité de la garantie. Pour d'autres renseignements concernant les responsabilités du propriétaire à l'égard du service sous garantie, voir le texte de la GARANTIE.
- Si le détaillant ou l'agence de service après-vente ne peut résoudre le problème, écrivez à Maytag Services, LLC à l'adresse suivante : CAIR® Center, P.O. Box 2370, Cleveland, TN 37320-2370 États-Unis, ou appelez au **1-800-688-9900 aux États-Unis ou au 1-800-688-2002 au Canada.**
- Les guides d'utilisation, les manuels de service et les renseignements sur les pièces sont disponibles auprès du service à la clientèle de Maytag Services, LLC.

Remarques : Veuillez à fournir l'information suivante lorsque vous communiquez avec nous au sujet d'un problème :

- a. Vos nom, adresse et numéro de téléphone;
- b. Numéro de modèle et numéro de série de l'appareil;
- c. Nom et adresse du détaillant avec la date l'appareil acheté;
- d. Description détaillée du problème observé;
- e. Preuve d'achat (facture de vente).

Ropa

Lavadora

Guía de uso y cuidado

CW-3

CROSLEY



Tabla de materias



Seguridad 25-26



Cuidado y limpieza 33



Uso de los controles
Modelos dobles de
tres velocidades 27-28



**Localización y solución
de averías** 34

Modelos dobles de tres velocidades
con limpiador de manchas 29-30



Garantía y servicio
..... última página



**Sugerencias para
la operación** 31



**Características
especiales** 32-33



Instrucciones importantes de seguridad

Instalador: Deje esta guía con el electrodoméstico.

Cliente: Lea y conserve esta guía para futuras referencias. Conserve el recibo de compra y/o el cheque cancelado como comprobante de compra.

Número de modelo _____

Número de serie _____

Fecha de compra _____

Si tiene preguntas llame a:

Customer Assistance

1-800-688-9900 EE.UU.

1-800-688-2002 Canadá

(De lunes a viernes de 8 a.m. a 8 p.m. hora del Este)

En nuestro esfuerzo continuo para mejorar la calidad y el rendimiento de nuestros productos, puede ser necesario hacer cambios a este electrodoméstico sin necesidad de revisar esta guía.

Si desea obtener más información sobre el servicio, Ver la última página.

⚠ ¡ADVERTENCIA! RIESGO DE INCENDIO

No añada al agua de lavado gasolina, solventes de limpieza en seco, ni otras sustancias inflamables o explosivas. Estas sustancias desprenden vapores que se podrían inflamar o explotar.

No lave artículos previamente limpiados, lavados, sumergidos o manchados con gasolina, solventes de limpieza en seco, aceite, ceras, solventes químicos, alcohol, trementina u otros materiales inflamables o explosivos. Estas sustancias quedan retenidas en los artículos y es posible que desprendan vapores que se pueden inflamar o explotar.

Observe estas precauciones cuando utilice líquidos de limpieza, productos para quitar manchas, etc. Estos productos deben estar clasificados como "no inflamables". Utilícelos de acuerdo con las instrucciones del fabricante en una área bien ventilada o al aire libre. Enjuague minuciosamente a mano las prendas que contengan estas sustancias antes de ponerlas en la lavadora. Algunos de estos productos, por ejemplo los productos para quitar manchas de óxido, dañarán los componentes y el acabado de la lavadora.

Mantenga el área alrededor y debajo de la lavadora libre de materiales combustibles tales como pelusa, papel, trapos, gasolina y otros vapores y líquidos inflamables.

¡EL HIDRÓGENO GASEOSO ES EXPLOSIVO! Bajo ciertas condiciones, en un sistema de agua caliente que no se ha usado durante dos semanas o más tiempo se puede producir hidrógeno gaseoso. Si el sistema de agua caliente no se ha usado durante ese período, antes de usar la lavadora abra todos los grifos de agua caliente durante varios minutos. Esto permitirá la liberación del hidrógeno gaseoso que se pudiese haber acumulado. Debido a que este gas es inflamable, cuando realice este procedimiento no fume ni use una llama abierta.

En estudios recientes se ha demostrado que si los materiales contaminados con aceite vegetal se lavan inadecuadamente, la acumulación del aceite puede contribuir a que ocurra una reacción química (combustión espontánea) que podría causar la inflamación repentina de una carga de ropa. Esto puede suceder con más probabilidad cuando se deja la carga de ropa en la lavadora después de que termina el ciclo de secado o cuando las prendas se doblan y apilan mientras están calientes.

Ahora debe conocer las instrucciones de seguridad

Las advertencias y las instrucciones importantes de seguridad que aparecen en esta guía no tienen el propósito de cubrir todas las condiciones posibles que podrían ocurrir. Se debe usar el sentido común, precaución y cuidado cuando se instale, se efectúe mantenimiento o se use el electrodoméstico.

Siempre comuníquese con el fabricante para los asuntos relacionados con problemas o condiciones que no entienda.

Reconozca los símbolos de seguridad, advertencias, etiquetas

⚠ ADVERTENCIA

ADVERTENCIA – Peligros o prácticas no seguras que **PODRÍAN** causar lesión personal grave o mortal.

⚠ PRECAUCIÓN

PRECAUCIÓN – Peligros o prácticas no seguras que **PODRÍAN** causar lesión personal menos grave.



Instrucciones importantes de seguridad

⚠ ADVERTENCIA

Para reducir el riesgo de incendio, explosión, descarga eléctrica o lesiones personales al usar su lavadora, siga las precauciones básicas de seguridad, entre ellas las siguientes:

1. Lea todas las instrucciones antes de usar el electrodoméstico.
2. Al igual que con cualquier equipo que utiliza electricidad y que tiene piezas móviles, existen ciertos riesgos potenciales. Para usar este electrodoméstico con seguridad, el usuario debe familiarizarse con las instrucciones de funcionamiento del electrodoméstico y ejercer siempre cuidado cuando lo usa.
3. **No** instale ni almacene este electrodoméstico donde estará expuesto a las inclemencias del tiempo.
4. Instale y nivele la lavadora sobre un piso firme que pueda soportar el peso.
5. Este electrodoméstico debe ser puesto a tierra de manera apropiada. Nunca enchufe el cordón del electrodoméstico en un tomacorriente que no esté debidamente puesto a tierra y de acuerdo con el código nacional y local. Vea las instrucciones de instalación para la puesta a tierra de este electrodoméstico.
6. Para evitar la posibilidad de incendio o explosión:
 - a. **No** lave artículos que han sido previamente limpiados, lavados, sumergidos o manchados con gasolina, solventes de limpiar en seco u otras sustancias inflamables o explosivas pues pueden emitir vapores inflamables o producir una explosión. Lave a mano y cuelgue en una cuerda de secar cualquier artículo que contenga estas sustancias.

Cualquier material en el cual se haya usado un agente de limpieza o que esté saturado con líquidos o sólidos inflamables, no debe ser colocado en la lavadora hasta que todos los restos de estos líquidos o sólidos y sus vapores hayan sido eliminados.

Estos artículos incluyen acetona, alcohol desnaturalizado, gasolina, keroseno, algunos líquidos de limpieza domésticos, algunos quitamanchas, aguarrás ras, ceras y quitaceras.
 - b. **No** agregue gasolina, solventes de lavado en seco ni otras sustancias inflamables o explosivas al agua del lavado. Estas sustancias emiten vapores que pueden encenderse o explotar.
 - c. Bajo ciertas condiciones, se puede producir gas hidrógeno en un sistema de agua caliente que no ha sido usado durante dos semanas o más. **EL GAS HIDRÓGENO ES EXPLOSIVO.** Si el sistema del agua caliente no ha sido usado durante tal período, antes de usar una lavadora o una combinación de lavadora y secadora, abra todas las llaves del agua caliente y deje que el agua escurra durante varios minutos. Esto eliminará cualquier gas hidrógeno acumulado. Debido

a que el gas es inflamable, **no** fume ni use una llama abierta durante este período.

- d. **No** lave ni seque artículos que estén sucios con aceite vegetal o de cocinar. Estos artículos pueden contener algo de aceite después de ser lavados. Debido al aceite remanente, la tela puede echar humo o prenderse fuego por sí sola.
7. **No** coloque la mano dentro del electrodoméstico cuando la tina o el agitador esté en movimiento.
 8. **No** permita que los niños o animales domésticos jueguen encima, dentro o delante del electrodoméstico. Es necesaria una supervisión estricta cuando el electrodoméstico es usado cerca de los niños o animales domésticos.
 9. **No** altere los controles.
 10. **No** repare ni reemplace ninguna pieza de la lavadora ni intente efectuar ningún servicio a menos que haya sido recomendado específicamente en las instrucciones de reparación por el usuario y que usted las comprenda y tenga habilidad para efectuarlas.
 11. Desenchufe el cordón eléctrico antes de intentar reparar su lavadora. La reparación debe ser efectuada solamente por personal de servicio calificado.
 12. El agitador no debe ser sacado. Si el agitador se retira, debe ser colocado nuevamente oprimiéndolo hacia abajo completamente y apretando el tornillo de bloqueo antes de que la lavadora sea usada.
 13. Mantenga todos los aditivos del lavado, tales como detergentes, blanqueador, etc. fuera del alcance de los niños, preferiblemente en un armario con llave. Use los aditivos del lavado solamente de acuerdo con las instrucciones del fabricante. Observe todas las advertencias en las etiquetas de los envases.
 14. Mantenga el área alrededor y debajo de la lavadora sin acumulación de materiales combustibles, tales como pelusa, papel, trapos, gasolina y todos los otros vapores y líquidos inflamables.
 15. **No** use blanqueador de cloro ni amoníaco o ácidos (tales como vinagre o desoxidantes) en el mismo lavado. Se pueden formar vapores peligrosos.
 16. **No** lave en la lavadora materiales de fibra de vidrio. Se pueden pegar partículas en las ropas que se vayan a lavar a continuación y causar irritación a la piel.
 17. Para acabados de telas resistentes a las llamas - siga cuidadosamente las instrucciones del fabricante de la prenda. El lavado inapropiado puede eliminar el acabado.
 18. Antes de que la lavadora sea puesta fuera de servicio o descartada, retire la puerta del compartimiento del lavado.
 19. Las mangueras de admisión del agua están sujetas a daño y deterioro con el paso del tiempo. Revise periódicamente las mangueras para comprobar que no tengan protuberancias, torceduras, cortes, desgaste o escapes y reemplácelas cada cinco años.

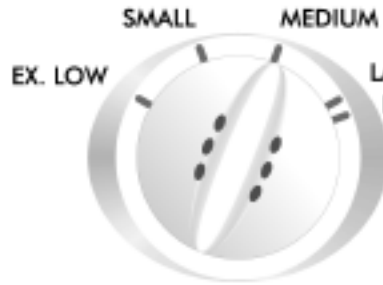
CONSERVE ESTAS INSTRUCCIONES



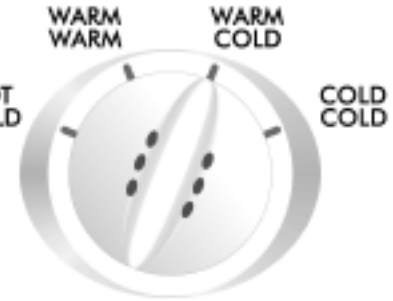
Uso de los controles

Modelos dobles de tres velocidades

CROSLLEY
HEAVY DUTY
Giant Capacity Plus
Quiet Series
3 Speed Combo
10 Cycles
PowerSurge Agitator



WATER LEVEL



WASH/RINSE TEMP

PASO 1

Selección del nivel del agua

Determine el ajuste de acuerdo con el tamaño de la carga de ropa. Este ajuste debe proporcionar suficiente agua para permitir que la ropa se mueva libremente durante la agitación.

Es posible que sea necesario, como por ejemplo en el caso de telas voluminosas, ajustar el nivel del agua después de que comienza la agitación. Para ajustar el nivel del agua, gire el control hasta **reset** (reajustar) y luego vuélvalo a colocar en el ajuste deseado.

AJUSTE DEL NIVEL DEL AGUA	TAMAÑO DE LA CARGA
'Ex. Low' (muy baja) (modelos selectos)	1/4 llena
'Small' (pequeña)	1/4 - 1/2
'Medium' (mediano)	1/2 - 3/4
'Large' (grande)	3/4 de la capacidad - llena

Nota: Los artículos deben moverse libremente para obtener los mejores resultados.

PASO 2

Selección de las temperaturas de lavado y enjuague

La lavadora le permite seleccionar entre agua caliente, tibia o fría para lavar, y agua fría o tibia (modelos selectos) para enjuagar. Utilice la siguiente tabla como guía.

TEMP. DE LAVADO/ENJUAGUE	TIPO DE CARGA
'Hot/Cold' (caliente/fría)	Ropa blanca y ropa de colores desteñibles muy sucia.
'Warm/Warm' (tibia/tibia) (modelos selectos)	Ropa delicada y ropa de colores sólidos muy sucia.
'Warm/Cold' (tibia/fría)	Ropa de color moderadamente sucia; la mayoría de la ropa inarrugable.
'Cold/Cold' (fría/fría)	Ropa de colores brillantes, ligeramente sucia; lanas lavables.

Nota: El detergente no se disuelve bien en el agua de lavado con temperatura menor que 16° C (60° F), y por lo tanto no limpiará adecuadamente la ropa. Las etiquetas de cuidado de la ropa definen agua fría como aquella con una temperatura de hasta 29.4° C (85° F).

Las características de control y los estilos varían según el modelo.



PASO 3

Selección Extra Rinse (enjuague adicional)

(si se desea) (modelos selectos)

Cuando el interruptor está en la posición 'On' (Encendido), se realizará un enjuague adicional al final del ciclo regular, con el objeto de una remoción más completa de aditivos de lavandería, espuma de jabón, perfumes, etc.

PASO 4

Selección del ciclo

Para seleccionar un ciclo, presione el disco de control hacia adentro (posición de apagado) y gírelo hacia la *derecha* (en el sentido de las agujas del reloj) hasta que el puntero esté en el número de minutos necesarios para la carga de ropa en los ciclos 'Regular', 'Wrinkle-Free Clothes' (ropa sin arrugas) o 'Delicates' (ropa delicada).

Regular (ciclo regular)

Permite velocidades normales de agitación y de centrifugado para lavar ropa de algodón y ropa muy sucia.

Ciclo Wrinkle-Free Clothes (ciclo de secado de ropa sin arrugas)

Proporciona velocidad de agitación normal durante los primeros seis minutos, una pausa, y luego agitación lenta durante el resto del ciclo a fin de proteger las telas inarrugables. La velocidad de centrifugado será normal para reducir la retención de agua.

Delicates (ciclo delicado)

Permite velocidades lentas de agitación y de centrifugado será lento para la ropa delicada y tejida.

PASO 5

Tire del disco de control para comenzar

Puede detener el funcionamiento de la lavadora en cualquier momento **presionando** el disco de control. Por lo tanto, es posible realizar un remojo sin agitación o acortar, pasar por alto o repetir cualquier parte de un ciclo. El disco de control debe estar **presionando** (posición apagado) cuando cambie el ajuste.

Nota: No intente girar el disco de control hacia la izquierda, de lo contrario dañará el temporizador.



Uso de los controles Modelos dobles de tres velocidades con limpiador de marchas



PASO 1

Selección señal

End of Cycle Signal (señal - fin de ciclo)

Una vez que ha terminado el ciclo, se escuchará un avisador varias veces. El volumen del avisador de fin de ciclo es ajustable. Para ajustar el volumen, seleccione cualquier ajuste entre **'OFF'** (apagado) y **'LOUD'** (alto).

PASO 2

Selección el nivel del agua

Determine el ajuste de acuerdo con el tamaño de la carga de ropa. Este ajuste debe proporcionar suficiente agua para permitir que la ropa se mueva libremente durante la agitación.

Es posible que sea necesario, como por ejemplo en el caso de telas voluminosas, ajustar el nivel del agua después de que comienza la agitación. Para ajustar el nivel del agua, gire el control hasta **'reset'** (reajustar) y luego vuélvalo a colocar en el ajuste deseado.

AJUSTE DEL NIVEL DEL AGUA	TAMAÑO DE LA CARGA
'Ex. Low' (muy baja)	1/4 - llena
'Small' (pequeño)	1/4 - 1/3
'Medium' (mediano)	1/3 - 3/2
'Large' (grande)	1/2 - 2/3
'Ex. Large' (extra-grande)	3/4 - llena

Nota: Los artículos deben moverse libremente para obtener los mejores resultados.

PASO 3

Selección el tipo de lavado y la velocidad de centrifugado

La lavadora ofrece varias combinaciones de tipo de lavado y velocidad de centrifugado de las cuales puede seleccionar.

LAVADO/VELOCIDAD DE CENTRIFUGADO	TIPO DE CARGA
'Normal/Normal' (normal/normal)	Telas resistentes que necesitan la máxima extracción de agua.
'Normal/Slow' (normal/lento)	Telas resistentes que necesitan una menor velocidad de centrifugado debido a que se arrugan.
'Slow/Slow' (lenta/lenta)	Telas delicadas que necesitan lavado y centrifugado más lento debido a la fabricación de la prenda.

PASO 4

Selección de las temperaturas de lavado y enjuague

La lavadora le permite seleccionar entre agua caliente, tibia o fría para lavar, y agua fría o tibia para enjuagar. Utilice la siguiente tabla como guía.

TEMP. DE LAVADO/ENJUAGUE	TIPO DE CARGA
Hot/Cold (caliente/fría)	Ropa blanca y ropa de colores destañados muy sucia.
Warm/Cold (tibia/fría)	Ropa de color moderadamente sucia; la mayoría de la ropa inarrugable.
Cold/Cold (fría/fría)	Ropa de colores brillantes, ligeramente sucia. Lanas lavables.



TEMPS. DE LAVADO/ENJUAGUE	TIPO DE CARGA
Estos ajustes tienen control automático de la temperatura:	
'ATC Warm/Warm' (control automático de temperatura tibia/tibia) 'ATC Warm/Cold' (control automático de temperatura tibia/fría)	Ahorra energía agregando agua fría al agua caliente del calentador. Proporciona limpieza óptima a temperaturas más bajas.
'ATC Cold/Cold' (control automático de temperatura fría/fría) adecuada	Puede agregar agua caliente al agua fría que va entrando a medida que la lavadora se llena. Esto asegura que el agua esté lo suficientemente tibia para activar el detergente de forma apropiada.

Nota: El detergente **no** se disuelve bien en el agua de lavado con temperatura menor que 16° C (60° F), y por lo tanto no limpiará adecuadamente la ropa.

PASO 5

Selección del ciclo

Para seleccionar un ciclo, **presione** el disco de control y hágalo girar a la *derecha* hasta que el indicador apunte el número de minutos de lavado que desea.

Importante: Para el cuidado óptimo de las telas, debe seleccionar el ciclo de lavado y la velocidad de centrifugado adecuados para el tipo de carga usando la perilla de lavado/centrifugado.

Regular/Delicates (ciclos regular y delicado)

Los ciclos regular y delicado comparten la misma porción del disco de control. Para telas regulares, seleccione el ciclo y coloque el disco de 'Wash/Spin' (lavado/velocidad) de centrifugado en 'Normal/Normal' (normal/normal). Para cargas delicadas seleccione 'Slow/Slow' (lenta/lenta).

Ciclo Wrinkle-Free Clothes (secado automático de telas sin arrugas)

Este ciclo permite hasta 12 minutos de agitación. Dependiendo del tipo de carga, seleccione ya sea el ajuste **'Normal/Slow'** (normal/lenta) o el **'Slow/Slow'** (lenta/lenta).

Ciclo 'Stain Cleaner' (quitamanchas)

Este ciclo proporciona aproximadamente 30 minutos de agitación y remojo para ayudar a quitar la suciedad y las manchas difíciles. Para mayor información, vea la Página 26.

PASO 6

Selección Extra Rinse (enjuague adicional)

(si se desea) (modelos selectos)

Cuando el interruptor está en la posición **'On'** (Encendido), se realizará un enjuague adicional al final del ciclo regular/delicado, con el objeto de una remoción más completa de aditivos de lavandería, espuma de jabón, perfumes, etc.

PASO 7

Tire del disco de control para comenzar

Puede detener el funcionamiento de la lavadora en cualquier momento **presionando** el disco de control. Por lo tanto, es posible realizar un remojo sin agitación o acortar, pasar por alto o repetir cualquier parte de un ciclo. El disco de control debe estar **presionando** (posición de apagado) cuando cambie el ajuste.

Nota: No intente girar el disco de control hacia la izquierda, de lo contrario dañará el temporizador.



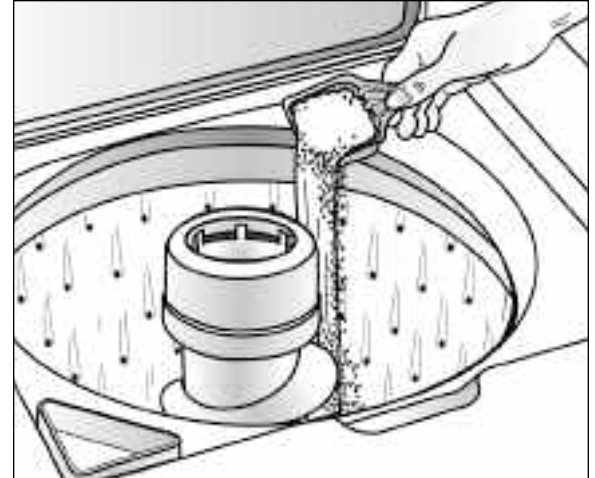
Sugerencias para la operación

Detergente

- Utilice detergente líquido o granular para lavar ropa. **Para obtener los mejores resultados, asegúrese de añadir el detergente a la lavadora ANTES de colocar la carga de ropa, y de que el agua de lavado tenga una temperatura mayor que 16° C (60° F).**
- Use la cantidad de detergente adecuada para el tamaño de la carga, el grado de suciedad y las condiciones del agua. Utilice más detergente si el agua es dura y las cargas están muy sucias.

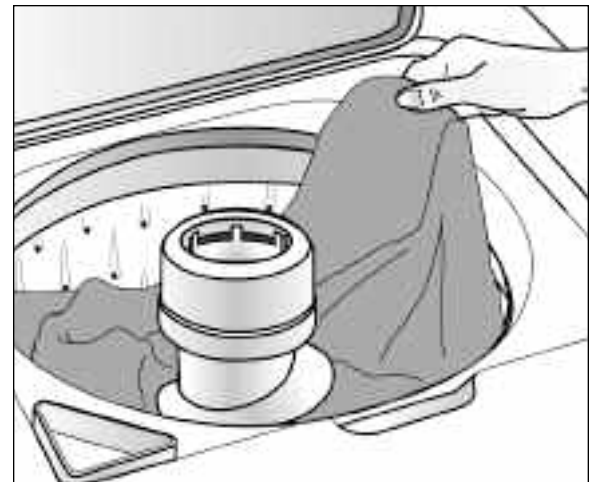
Si el agua es suave o la carga está ligeramente sucia, utilice menos detergente. (Consulte las instrucciones del fabricante.)

- Quite el detergente que caiga en la lavadora.



Colocación de la carga de ropa

- Para obtener mejores resultados, ponga el detergente en la tina de lavado antes de añadir la carga.
- Coloque en la tina de la lavadora la ropa seca, desdoblada y de manera holgada, hasta la fila superior de orificios en el caso de una carga completa.
- **No** envuelva alrededor del agitador las prendas grandes, como por ejemplo las sábanas.
- Mezcle prendas pequeñas y grandes para obtener la mejor circulación. Lave por separado los artículos voluminosos como por ejemplo cobijas o cobertores.
- Cuando lave artículos de planchado permanente o de hechura delicada, lanas lavables o artículos de tela de punto, nunca use menos del ajuste de agua 'MEDIUM' (mediano). Esto reducirá al mínimo el encogimiento, arrugado y los tirones de las costuras.
- Cierre cuidadosamente la tapa para evitar golpearla.



Sugerencias adicionales

- Es posible que la ropa llegue a estar distribuida de manera no uniforme durante el centrifugado. Si esto sucede, **oprime** la perilla de control, abra la tapa, vuelva a distribuir la ropa, cierre la tapa y vuelva a poner la lavadora en marcha. El centrifugado continuará desde el punto en que fue interrumpido.
- La lavadora se detendrá brevemente a través de cada ciclo. Estas pausas son normales.
- La lavadora está diseñada para que no funcione en el ciclo de centrifugado cuando la tapa está levantada. Sin embargo, se puede llenar ciclo de centrifugado, con la tapa levantada para permitir el acceso al agua durante el pretratamiento de manchas o para diluir el suavizante de ropa.
- Si usted abre la tapa durante un ciclo, la lavadora se detendrá. Cuando se cierre la tapa y la lavadora se vuelva a poner en marcha, la lavadora continuará el ciclo en el punto en que fue interrumpido.

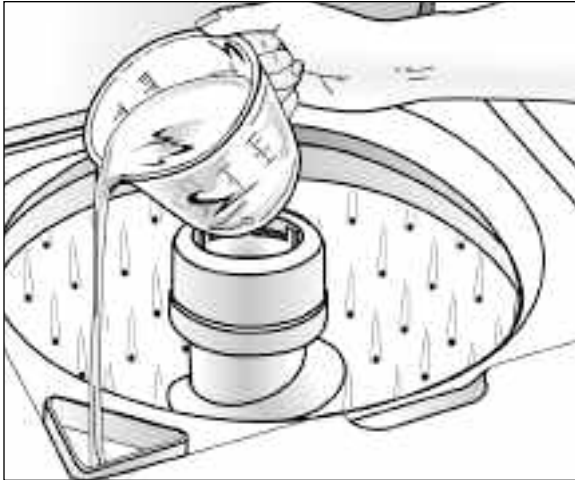


Características especiales

Surtidor de blanqueador líquido

El surtidor diluye automáticamente el blanqueador de cloro líquido antes de que éste entre en contacto con la carga de ropa. Siga estos pasos para usar el surtidor:

1. Mida cuidadosamente el blanqueador de cloro líquido, siguiendo las instrucciones del envase.
2. **Vierta el blanqueador de cloro líquido en el surtidor de blanqueador antes de colocar la carga de ropa.** Evite salpicar o llenar en exceso el surtidor.



Vierta el blanqueador de cloro líquido en el surtidor de blanqueador.

Notas:

- Nunca vierta blanqueador de cloro líquido no diluido directamente sobre la carga de ropa ni en la tina de la lavadora. Es una sustancia química muy fuerte y si no se usa adecuadamente puede dañar las telas; por ejemplo, puede romperlas o decolorarlas.
- Si prefiere utilizar un blanqueador sin cloro que no decolore, viértalo en la tina de lavado junto con el detergente. **No** vierta blanqueadores sin cloro en el surtidor de blanqueador.

‘Instant Water’ (agua instantánea)

Ofrece un chorro de agua cuando el interruptor está en la posición ‘ON.’



Surtidor de líquidos

Este surtidor automáticamente descarga el suavizante líquido de telas en el momento adecuado durante el ciclo.

Siga estos pasos para usar el surtidor:

1. Vierta una cantidad medida del suavizante en el surtidor, solamente hasta la línea de llenado.
2. Si el suavizante no llega hasta esta línea, añada agua tibia.

Si es necesario limpiar el surtidor:

1. Retire el dispensador del agitador.
2. Remoje en el fregadero o en un recipiente en agua caliente y detergente de lavar platos durante una hora.
3. Coloque las manos sobre las partes superior e inferior del dispensador y agítelo para aflojar el material acumulado.
4. Enjuague con agua limpia y caliente.
5. Repita el proceso si es necesario.
6. Reinstale el dispensador en el agitador.



No use detergente líquido de lavar platos dentro de la lavadora pues se puede formar mucha espuma.

Ciclo ‘Stain Cleaner’

Este ciclo elimina la inconveniencia de remojar las prendas manchadas antes de ponerlas en la lavadora. Para usar:

1. Agregue detergente líquido o granulado en la tina de lavado.
2. Agregue la ropa.
3. Agregue **detergente líquido solamente** en el dispensador de detergente líquido situado en la parte superior del agitador.
4. Para iniciar este ciclo, coloque la perilla en el la posición ‘Stain Cleaner’.

La ropa se remojará durante 30 minutos con períodos breves de agitación. El agua después es extraída con centrifugado y se agrega agua limpia junto con el detergente líquido para un ciclo de lavado de 16 minutos.

Sistema automático de filtrado de pelusa

El sistema de filtrado de pelusa no requiere limpieza.

El agua de lavado y enjuague se filtra repetida y continuamente para atrapar la pelusa que desprende la mayoría de las telas durante el ciclo de agitación, antes de que se vuelva a depositar en la ropa. El diseño de la canasta de lavado y el flujo de agua que produce el agitador separan la pelusa de la ropa y la atrapan entre la canasta de lavado interna y la tina externa. Durante el ciclo de centrifugado, la pelusa sale automáticamente de la lavadora.



Características especiales

Centrifugado de seguridad

Si por alguna razón levanta la tapa de la lavadora durante el período de centrifugado o de extracción, la lavadora dejará de funcionar inmediatamente. Esto es para su seguridad personal. Si su lavadora no deja de funcionar, llame inmediatamente a un técnico de servicio. Cuando baje la tapa la lavadora automáticamente comenzará a funcionar otra vez.

Compensador de carga en caso de centrifugado desequilibrado

Su nueva lavadora está diseñada para corregir cargas desequilibradas sin necesidad de apagar o interrumpir el ciclo de lavado.

Por esta razón siempre se completará el ciclo. Si en alguna ocasión las telas pesadas de una carga desequilibradas contienen humedad excesiva al final del ciclo, redistribuya la ropa en la lavadora y vuelva a ajustar la perilla de control a centrifugado.



Cuidado y limpieza

1. Después de lavar la ropa deje la lavadora abierta hasta que se seque el interior.
2. Revise las mangueras para asegurarse de que no estén torcidas ni dobladas.
3. La lavadora no se debe instalar en lugares con temperaturas menores que el punto de congelación ya que se podría dañar.
4. Ocasionalmente limpie el exterior de la lavadora con una esponja o paño limpio y húmedo. **No** use cera de lustrar en las piezas de plástico.
5. En la fábrica se hace una lubricación que dura toda la vida útil de la lavadora, de manera que usted nunca necesitará aceitarla ni engrasarla.
6. **No** coloque objetos pesados ni de bordes agudos sobre la lavadora.
7. Nunca debe utilizar la superficie superior de la lavadora para quitar manchas de sus prendas. Algunos productos para quitar manchas, como por ejemplo los que se usan para manchas de óxido, dañarán el acabado.
8. Quite alfileres, hebillas u otros objetos de bordes agudos de la ropa para evitar raspar las partes internas de la lavadora.
9. No debe almacenar ropa en la lavadora.
10. Los blanqueadores, detergentes, solventes, etc. que se derraman y permanecen en la superficie de la lavadora dañarán su acabado brillante. Quite de la lavadora el material derramado con un paño suave y húmedo.

Protector de sobrecarga

Un protector integrado automáticamente apaga el motor de la lavadora en caso de una sobrecarga. Esto puede ocurrir cuando:

- La carga que se está lavando es muy pesada.
- Demasiados electrodomésticos están conectados en la línea de la cual se alimenta su lavadora.
- Hay bajo voltaje en la línea eléctrica.
- Se levanta y baja repetidamente la tapa.

El protector de sobrecarga permite que la lavadora reanude su funcionamiento cuando el motor se enfría hasta alcanzar una temperatura de funcionamiento segura.

Si el motor se detiene repetidamente llame a su técnico de servicio.

11. Si va a desocupar su casa durante el invierno, pida a un técnico de servicio que drene la lavadora. Desenchufe el cable eléctrico del tomacorriente y desconecte las mangueras de los grifos.

Limpieza del interior

El interior de la lavadora debe ser limpiado periódicamente a fin de sacar cualquier suciedad, tierra, olor o residuos de bacterias que puedan quedar en la lavadora después que se lava la ropa. Recomendamos que se proceda de la siguiente manera cada 60 a 120 días para limpiar y refrescar el interior de la lavadora. La frecuencia de la limpieza de la lavadora depende de factores tales como el uso, la cantidad de suciedad, tierra o bacterias que pase por su lavadora, o el uso de agua fría. Si no se siguen estas instrucciones se pueden producir condiciones no satisfactorias, incluyendo olores desagradables y/o manchas permanentes en la lavadora o la carga de ropa.

Para limpiar y refrescar el interior de la lavadora:

1. Agregue una cantidad medida de blanqueador de cloro en el surtidor del blanqueador, siguiendo las instrucciones del envase.
2. Agregue 1/4 taza de detergente a la tina de la lavadora.
3. Haga funcionar la lavadora sin ropa durante un ciclo completo usando agua caliente.
4. Repita el proceso si es necesario.



Localización y solución de averías

La lavadora no se llena	<ul style="list-style-type: none"> • Enchufe el cordón en un tomacorriente eléctrico con corriente. • Verifique el fusible o reponga el disyuntor. • Gire la perilla de control al ciclo apropiado y tire de la perilla hacia afuera para poner en marcha la lavadora. • Abra ambas llaves completamente. • Enderece las mangueras de admisión. • Desconecte las mangueras y lave las mallas. Las mallas de filtrado de las mangueras pueden estar obstruidas.
La lavadora no agita	<ul style="list-style-type: none"> • Verifique el fusible o reponga el disyuntor. • Asegúrese de que la tapa esté bien cerrada. • Gire la perilla de control al ciclo apropiado y ponga en marcha la lavadora. • Las pausas son normales. Espere y vea si la lavadora vuelve a arrancar.
La lavadora no centrifuga ni desagua	<ul style="list-style-type: none"> • Verifique el fusible o reponga el disyuntor. • Enderece las mangueras de desagüe. Elimine las mangueras torcidas. Si hay una restricción del desagüe de la residencia, llame a un técnico de servicio de desagües. • Cierre la tapa y ponga en marcha la lavadora. Para su seguridad, la lavadora no centrifuga ni agita a menos que la tapa esté cerrada. • Bloqueo por espuma – causado por exceso de espuma. Vuelva a lavar sin detergente. Use la cantidad correcta de un detergente que forme poca espuma.
La ropa queda mojada	<ul style="list-style-type: none"> • La ropa no está distribuida uniformemente. Vuelva a distribuir la ropa, cierre la tapa y ponga en marcha la lavadora. Verifique si la lavadora está nivelada. Asegúrese de que el nivel del agua sea aceptable para el tamaño de la carga de ropa. • Para las cargas pesadas, tales como vaqueros o toallas, se recomienda la velocidad de centrifugado normal.
La lavadora se detiene	<ul style="list-style-type: none"> • Enchufe el cordón en un tomacorriente eléctrico con corriente. • Verifique el fusible o reponga el disyuntor. • Cierre la tapa y ponga en marcha la lavadora. Para su seguridad, la lavadora no centrifuga ni agita a menos que la tapa esté cerrada. • Puede ser una pausa del ciclo. Espere unos momentos para ver si continúa funcionando.
Hay escape de agua	<ul style="list-style-type: none"> • Asegúrese de que las conexiones de la manguera estén herméticas. • Asegúrese de que el extremo de la manguera de desagüe esté correctamente insertado y asegurado en el receptor de desagüe. • Evite el remojo prolongado – remoje durante 30 minutos o menos. • Evite cargar demasiado la lavadora.
Funcionamiento ruidoso	<ul style="list-style-type: none"> • Asegúrese de que la lavadora esté debidamente nivelada como se describe en el manual de instalación. • Los pisos débiles pueden causar vibración y movimiento. • Los sonidos del funcionamiento variarán de acuerdo con la velocidad de agitación.
La lavadora se llena pero con temperatura incorrecta del agua	<ul style="list-style-type: none"> • Abra ambas llaves completamente. • Si está equipada con una perilla selectora de temperatura, asegúrese de que esté colocada exactamente en el ajuste de temperatura y no entre dos ajustes. • Asegúrese de que la selección de temperatura sea correcta. • Mientras se llena la lavadora, podrá observar la entrada de sólo agua caliente o sólo agua fría en la tina cuando se seleccionan las temperaturas de lavado correspondientes. Ésta es una función normal del control automático de temperatura (modelos selectos) durante la medición de temperatura del agua que realiza la lavadora. • Si se selecciona el control automático de la temperatura (modelos selectos), el agua fría puede estar más tibia que el agua de la llave. • Asegúrese de que las mangueras estén conectadas a las llaves y las conexiones de admisión correctas. Asegúrese de que el suministro del agua esté regulado correctamente. Deje correr agua dentro de la tubería del agua antes de llenar la lavadora. • Verifique el calefactor del agua. Debe estar ajustado para entregar de agua caliente a 120° F (49° C) como mínimo en la llave. También verifique la capacidad del calefactor del agua y la velocidad de recuperación. • Desconecte las mangueras y limpie las mallas. Las mallas de filtrado de las mangueras pueden estar obstruidas.
La perilla de control de ciclo avanza más allá de 'Off' (apagado)	<ul style="list-style-type: none"> • La opción Extra Rinse (modelos selectos) está seleccionada.

Para mayor ayuda, llame gratuitamente a 'Servicio Maytag a los Clientes' al 1-800-688-9900 EE.UU. o 1-800-688-2002 Canada.



Garantía y servicio

Garantía

Garantía limitada de un año –

Piezas y mano de obra

Durante **un (1) año** a partir de la fecha original de compra al detal, se reparará o reemplazará gratuitamente cualquier pieza que falle durante el uso normal en el hogar.

Residentes Canadienses

Las garantías anteriores cubren solamente aquellos electrodomésticos instalados en Canadá que han sido certificados o aprobados por las agencias de prueba correspondientes para cumplimiento con la Norma Nacional de Canadá a menos que el electrodoméstico haya sido traído a Canadá desde los EE.UU. debido a un cambio de residencia.

*Las garantías específicas expresadas anteriormente son las **UNICAS** garantías provistas por el fabricante. Estas garantías le otorgan derechos legales específicos y usted puede tener además otros derechos que varían de un estado a otro.*

LA ÚNICA Y EXCLUSIVA SOLUCIÓN PARA EL CLIENTE BAJO ESTA GARANTÍA LIMITADA ES LA REPARACIÓN DEL PRODUCTO SEGÚN SE INDICA AQUÍ. LAS GARANTÍAS IMPLÍCITAS, INCLUYENDO LAS GARANTÍAS DE COMERCIALIZACIÓN O DE APTITUD PARA UN PROPÓSITO EN PARTICULAR ESTÁN LIMITADAS A UN AÑO O AL PERÍODO DE TIEMPO MÍNIMO PERMITIDO POR LA LEY. MAYTAG CORPORATION NO SERÁ RESPONSABLE DE DAÑOS INCIDENTALES O CONSECUENTES. ALGUNOS ESTADOS Y PROVINCIAS NO PERMITEN LA EXCLUSIÓN O LIMITACIÓN DE DAÑOS INCIDENTALES O CONSECUENTES O LA LIMITACIÓN DE LA DURACIÓN DE LAS GARANTÍAS IMPLÍCITAS DE COMERCIALIZACIÓN O APTITUD, POR LO QUE ESTAS EXCLUSIONES O LIMITACIONES PUEDEN NO APLICARSE EN SU CASO. ESTA GARANTÍA LE OTORGA DERECHOS LEGALES ESPECÍFICOS. USTED TAMBIÉN PUEDE TENER OTROS DERECHOS QUE VARÍAN DE UN ESTADO A OTRO O DE UNA PROVINCIA A OTRA.

Lo que no cubren estas garantías

1. Situaciones y daños resultantes de cualquiera de las siguientes situaciones:
 - a. Instalación, entrega o mantenimiento inapropiados.
 - b. Cualquier reparación, modificación, alteración o ajuste no autorizados por el fabricante o taller de servicio autorizado.
 - c. Mal uso, abuso, accidentes, uso no razonable o hechos fortuitos.
 - d. Corriente, voltaje, suministro eléctrico o suministro de gas incorrectos.
 - e. Ajuste inadecuado de cualquier
2. Las garantías quedan nulas si los números de serie originales han sido retirados, alterados o no se pueden determinar fácilmente.
3. Bombillas, filtros de agua y filtros de aire.
4. Los productos comprados para uso comercial o industrial.
5. El costo del servicio o llamada de servicio para:
 - a. Corregir errores de instalación. Para los productos que requieran ventilación, se deben usar conductos de metal rígido.
 - b. Instruir al usuario en el uso adecuado del producto.
 - c. Transporte del electrodoméstico al establecimiento de servicio y de regreso.
6. Cualquier pérdida de alimentos debido a fallas del refrigerador o congelador.
7. Costos de viaje y transporte de servicio en áreas remotas.
8. Esta garantía no se aplica fuera de los Estados Unidos y Canadá. Póngase en contacto con su distribuidor para determinar si se aplica cualquier otra garantía.
9. Los daños consecuentes o incidentales sufridos por cualquier persona como resultado del incumplimiento de esta garantía. En algunos estados no se permite la exclusión o limitación de daños consecuentes o incidentales, por lo tanto la limitación o exclusión anterior puede no aplicarse en su caso.

Si necesita servicio

Primero revise la sección de localización y solución de averías en su guía de uso y cuidado o llame al distribuidor donde adquirió el electrodoméstico. También puede llamar a Maytag Services, LLC, Atención al cliente, al 1-800-688-9900 en EE.UU. y al 1-800-688-2002 en Canadá para ubicar a un agente de servicio calificado.

- Asegúrese de conservar el comprobante de compra para verificar el estado de la garantía. Consulte la sección sobre la GARANTÍA para mayor información sobre las responsabilidades del propietario para obtener servicio bajo la garantía.
- Si el distribuidor o la compañía de servicio no pueden resolver el problema, escriba a Maytag Services, LLC, Attn: CAIR® Center, P.O. Box 2370, Cleveland, TN 37320-2370 o llame al **1-800-688-9900 en EE.UU. y al 1-800-688-2002 en Canadá.**
- Las guías del propietario, manuales de servicio e información sobre las piezas pueden solicitarse a Maytag Services, LLC, Atención al cliente.

Notas: Cuando llame o escriba acerca de un problema de servicio, por favor incluya la siguiente información:

- a. Su nombre, dirección y número de teléfono;
- b. Número de modelo y número de serie;
- c. Nombre y dirección de su distribuidor o técnico de servicio;
- d. Una descripción clara del problema que está experimentando;
- e. Comprobante de compra (recibo de compra).